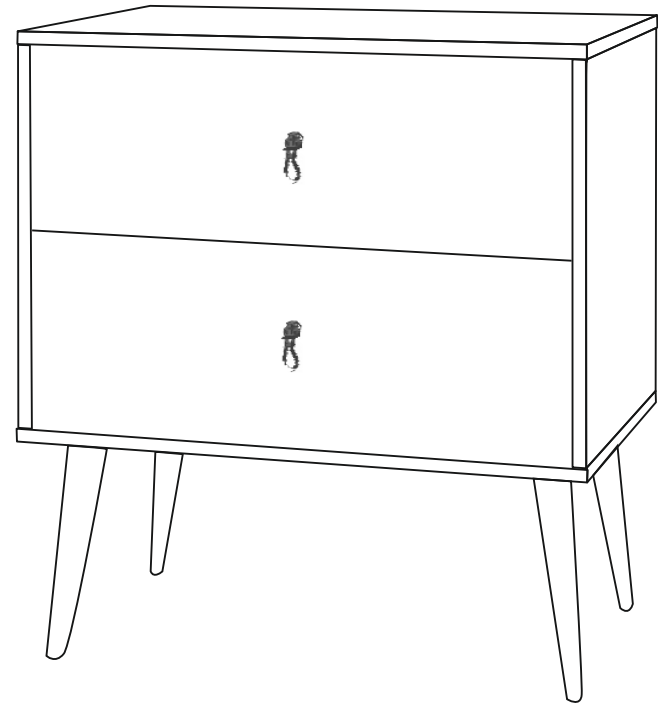
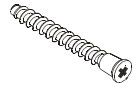


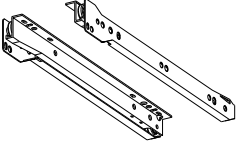
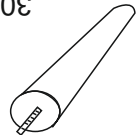

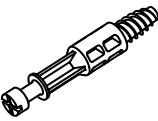

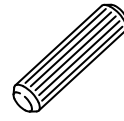

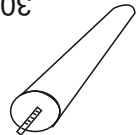


CITY NIGHTSTAND

ASSEMBLY GUIDE

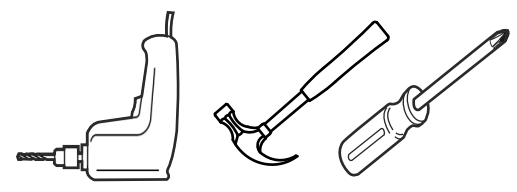
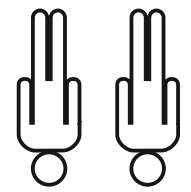


1

* FIX THE ACCESSORIES AS SHOWN FOLLOW THE INSTALLATION SEQUENCE WHILE INSTALLING THE PRODUCT.

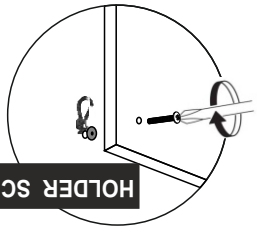
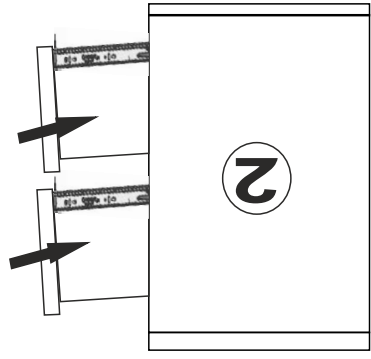
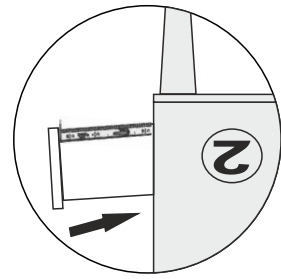
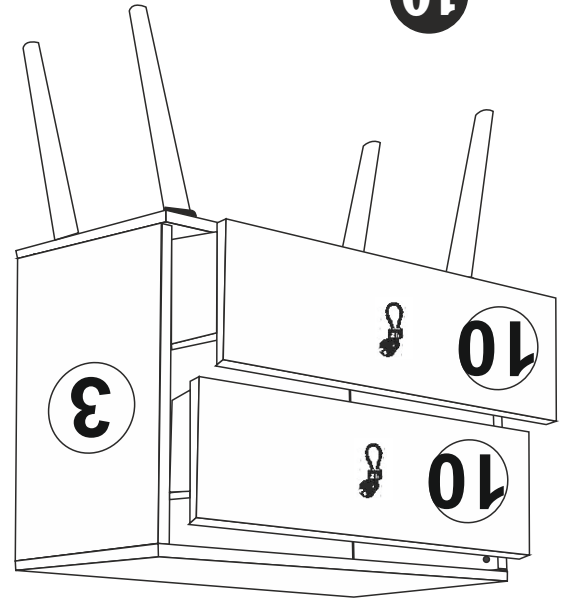
	CABINET SCREW x 4		3.5x18 SCREW X 20		CORNER WEDGE x 4
	35 CM DRAWER RAIL x 2 TK.		FURNITURE LEG X 4		HOLDER X 2
	MINI-FIX SHAFT X 12		MINI-FIX BODY X 12		DOWEL x 16
	HOLDER SCREW X 2		30 cm		PEG X 12

ACCESSORY LIST

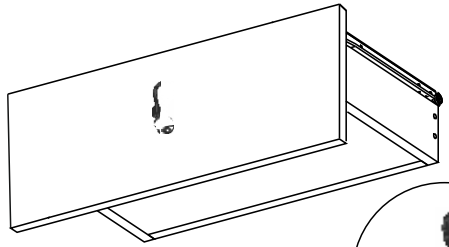


This unit should be assembled by two persons. The necessary tools (not included)

10

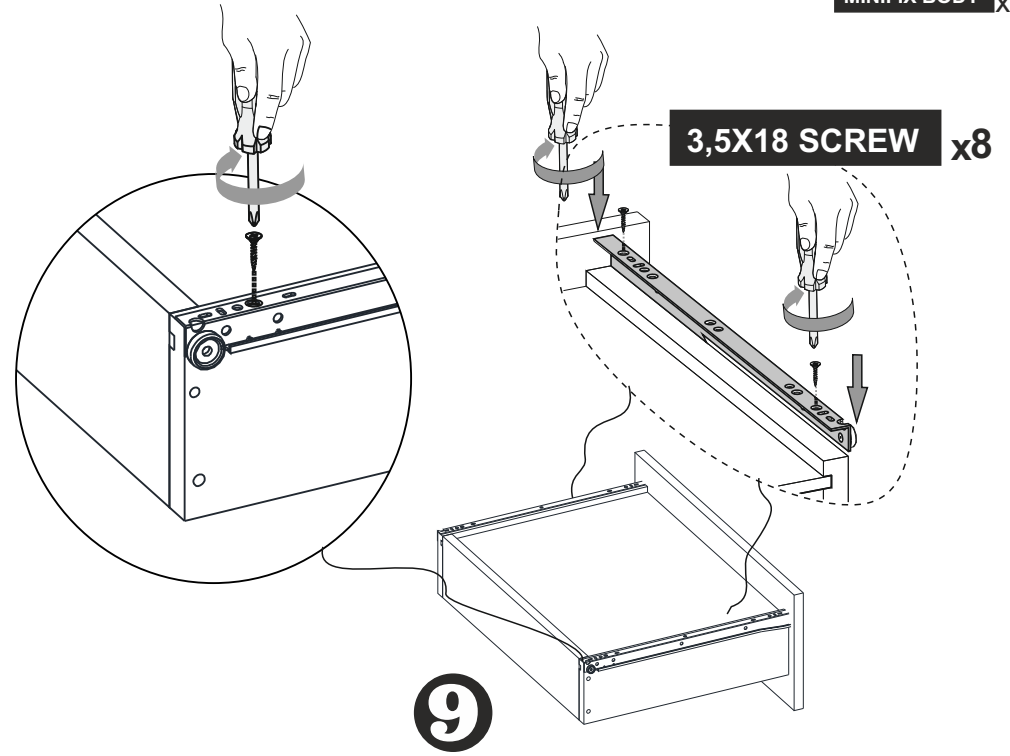
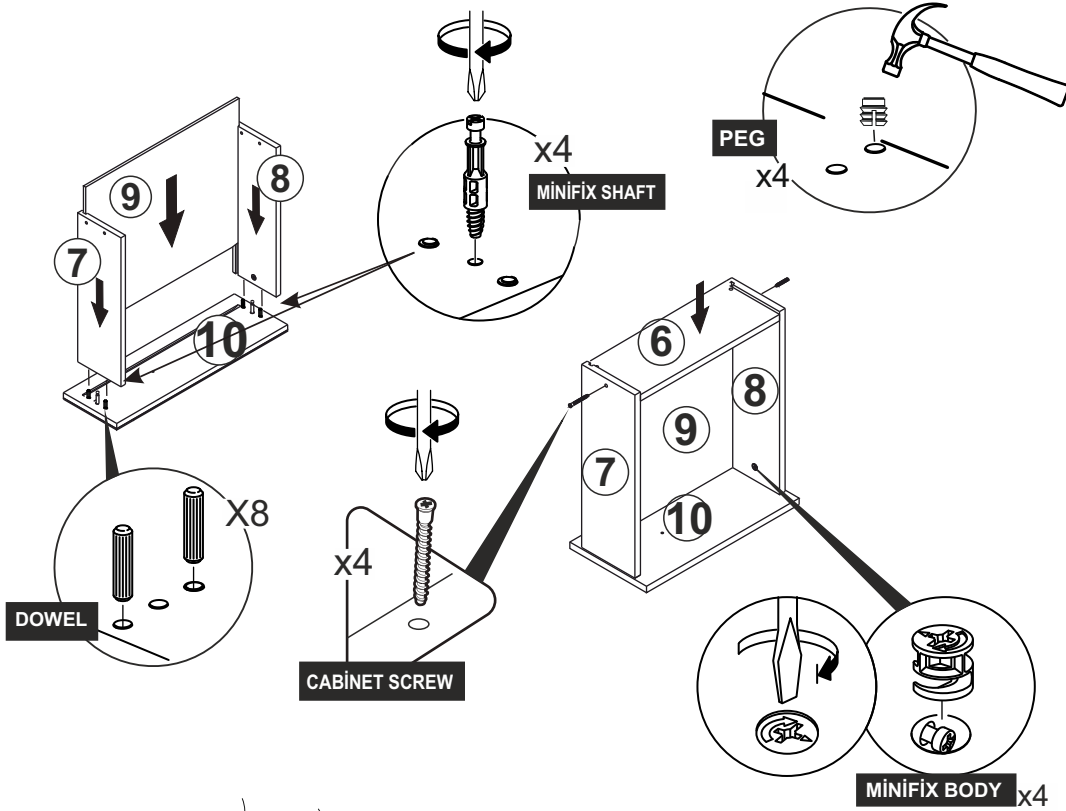


HOLDER SCREW X 2



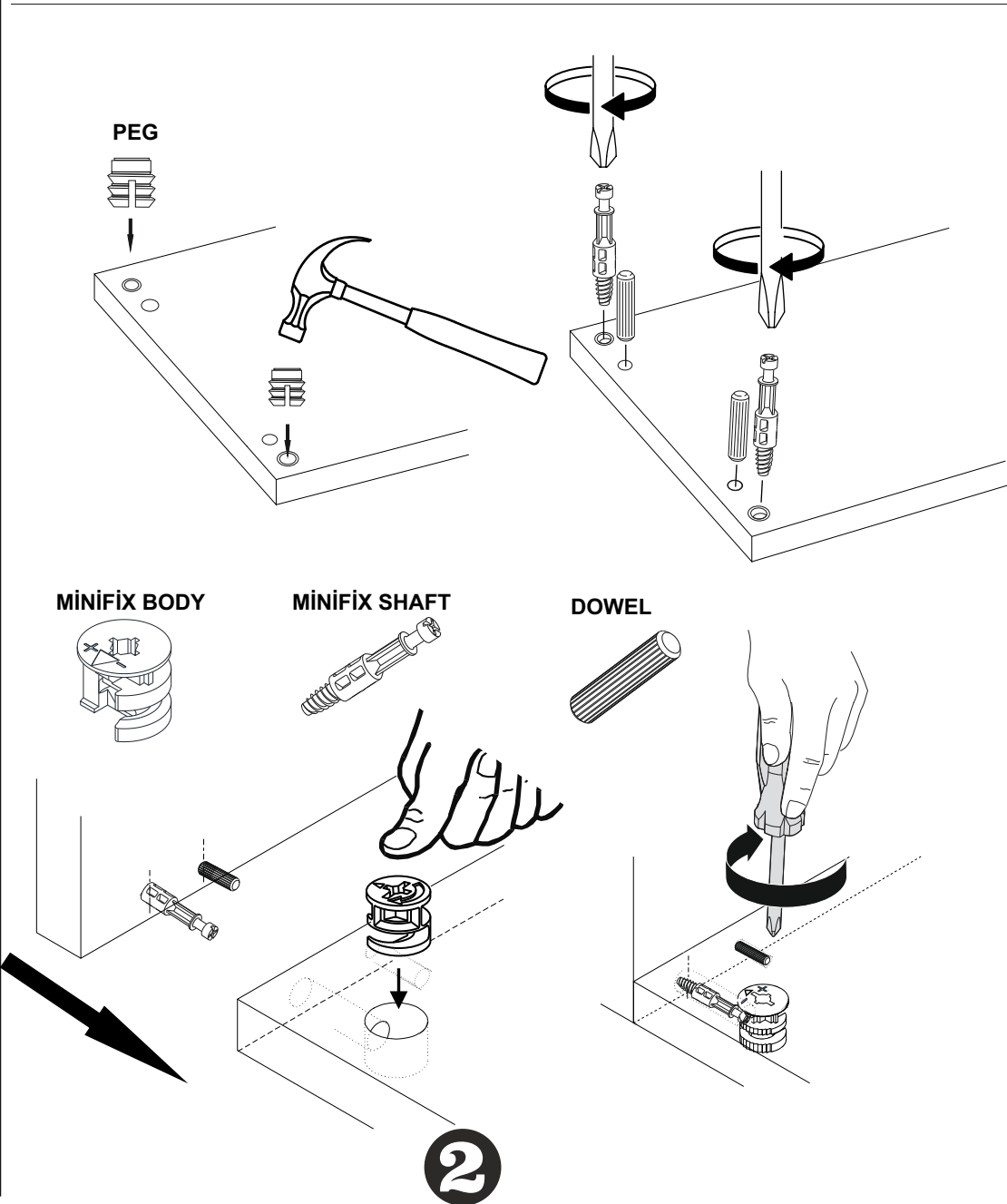
HOLDER X 2

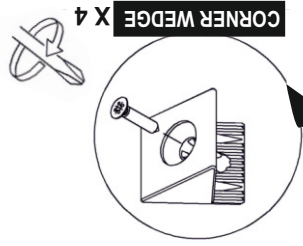
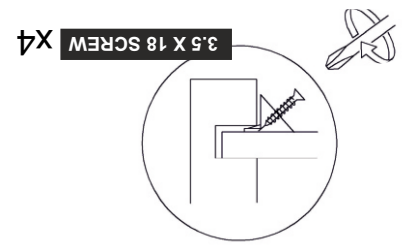
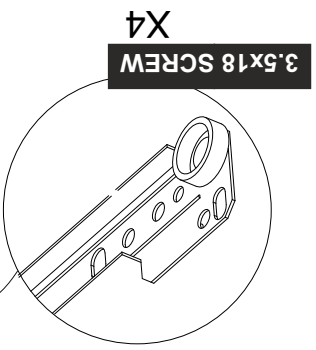
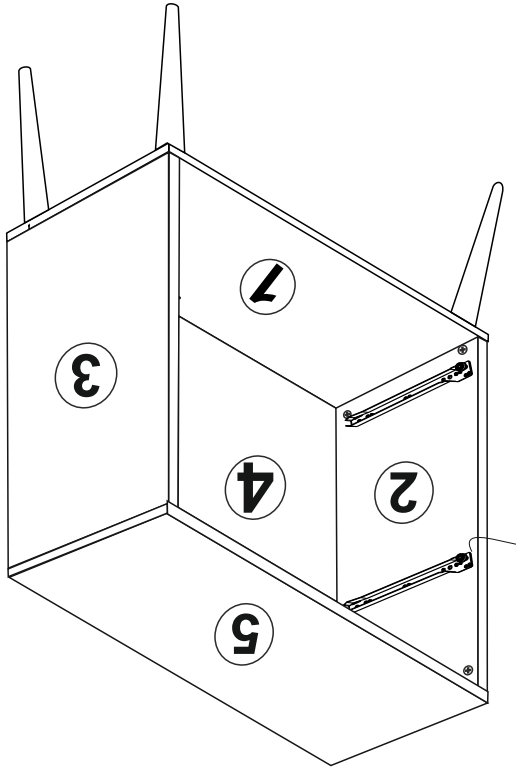




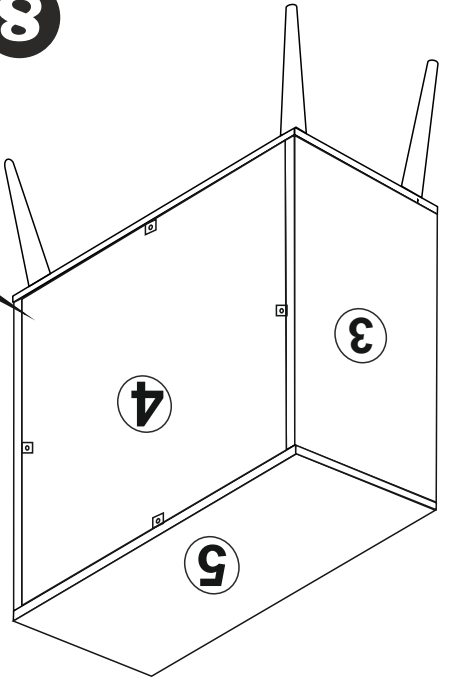
ATTENTION !!

Minifix and Dowel is the main connection material used in products. Before starting assembly, please check the drawings below...

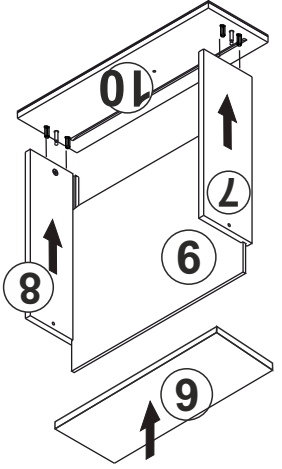
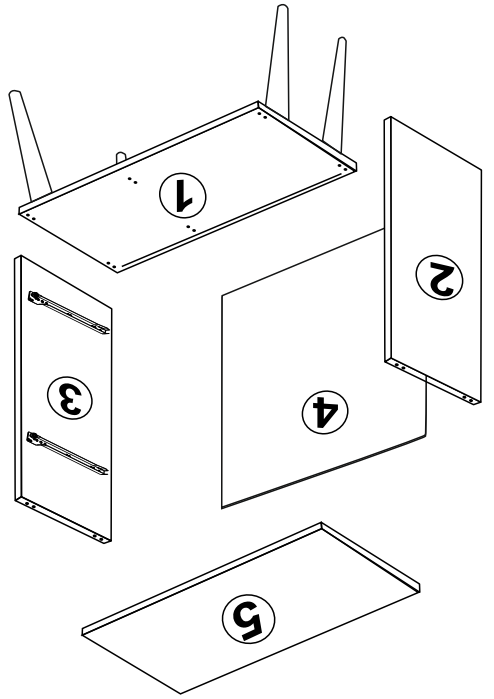




8



GENERAL VIEW



3

