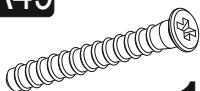




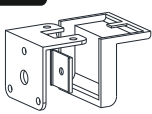
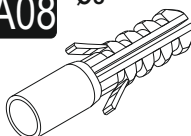
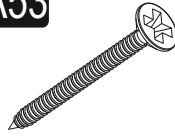


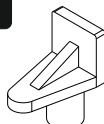
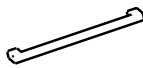
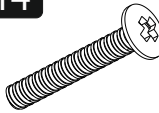




Empty rectangular box for notes or observations.

Empty rectangular box for notes or observations.



A49  12x	A16  X 12x	A12  8x	A13  8x	A82  4x
A41  1x	A08 Ø8  1x	A53 5x70 YHB  1x	A28  60x	A29 40x30 YHB  4x
A23  16x	A81  4x	A14 M4x22  8x	A10 3,5x18 YHB  34x	A60 3,5x25 YHB  16x

