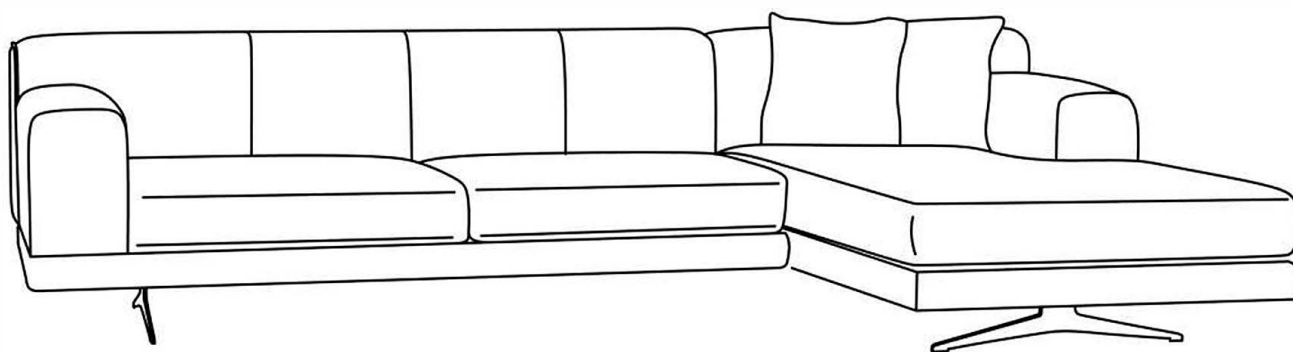


ASSEMBLY AND USER MANUAL



PRODUCT NAME

JIVAGO CORNER SOFA

PRODUCT SIZE

Width
313/198 cm

Depth
95 cm

Height
78 cm

PACKAGE SIZE

210 m x 105 cm x 65 cm / 43 KG
205 cm x 110 cm x 65 cm / 38 KG
10 cm x 23 cm x 85 cm / 6 KG
1,43 m³ / 1,47 m³ / 0,02 m³ = 2,92 m³

Dear Customer,

The product you bought was subjected to all sorts of tests and control before sending out to you. Even in this situation, sometimes happen that some component is damaged during the transportation. In such case please do not send the whole article back to us. Just request/order the damaged part. While requesting the required part, describe it exactly by looking to service card. Missing part will be sent to you as soon as possible.

Before start assembling, please check the whole components and accessories according to the list. After being sure that every part and accessory are okay and right, start assembling.

If you bought more than one product, to prevent confusion be sure that you completed the first product. Then start the other product's assembling.

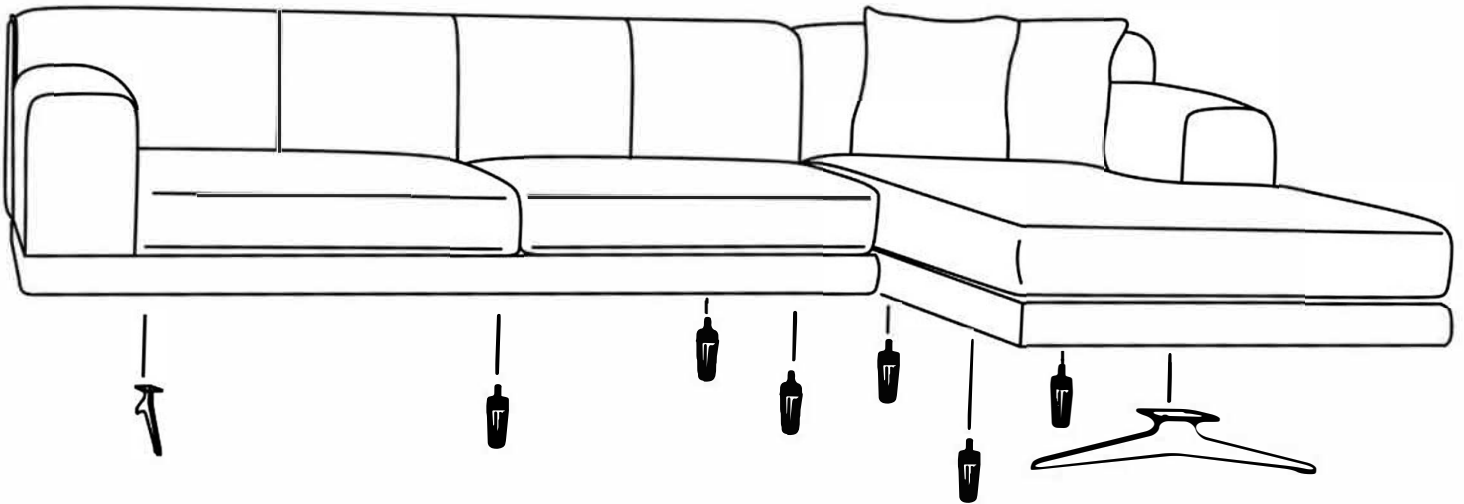
Never draw the products. While carrying, disassociate and lift the product and carry with minimum 2 people. For long distances It is very easy to clean the surfaces of your product. It is enough to wipe with a damp cleaners. Please don't wash the fabric.

Do not directly contact your furniture with excessive heat, cold and humidity because the product can be affected.

Do not use your furniture for out of purpose.

ASSEMBLY

STEP 1



x2



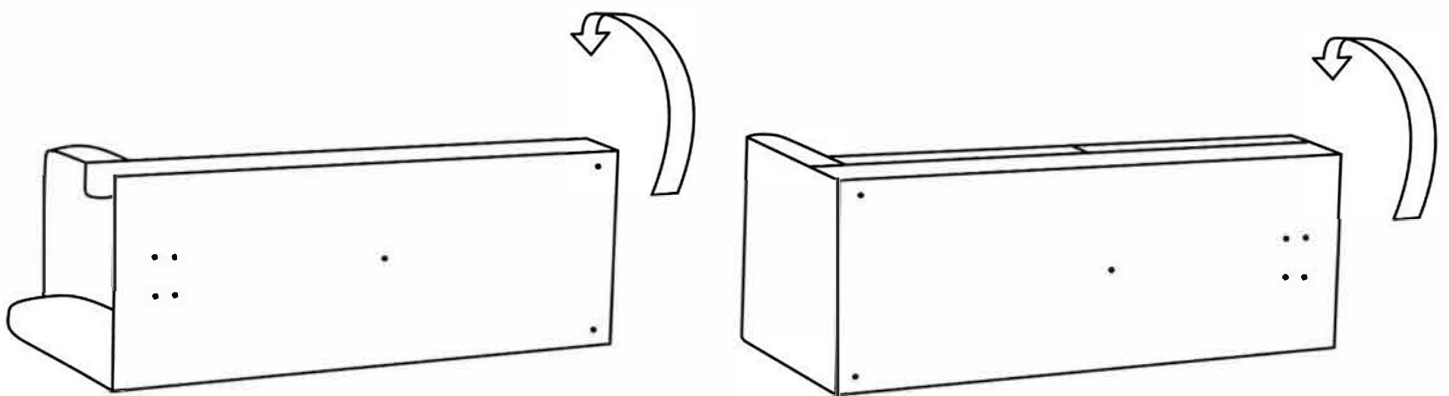
x6



(6x35 mm)

x8

Jivago Corner includes 2 pcs. iron legs, 6 pcs. middle legs.

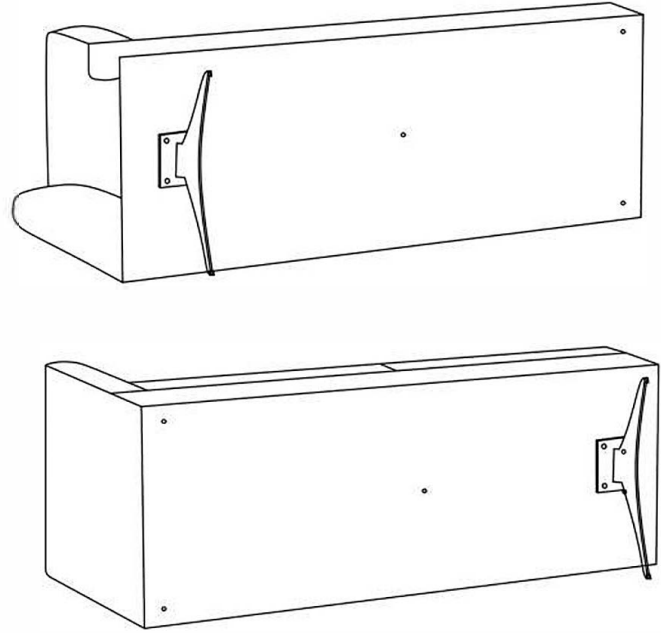
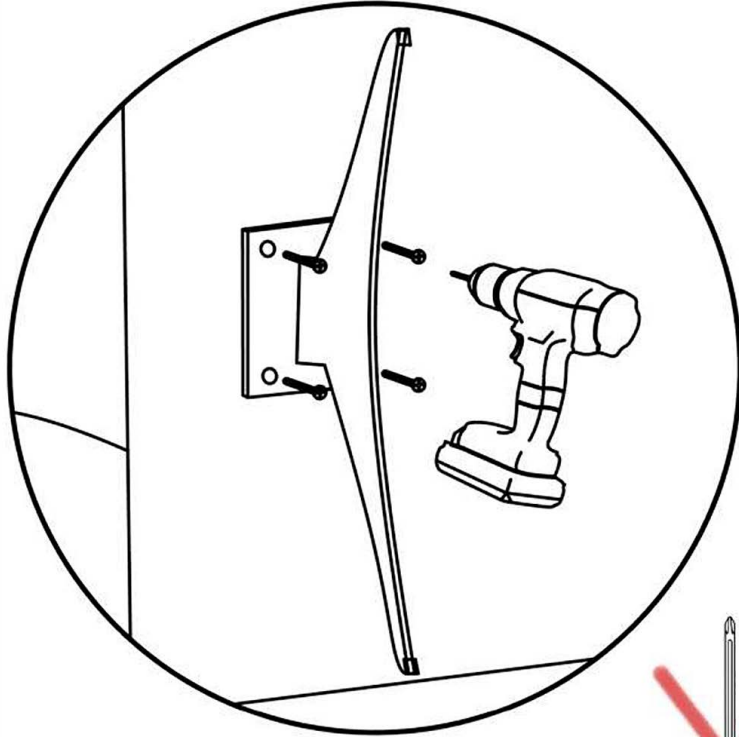


Please recline the part of sofa

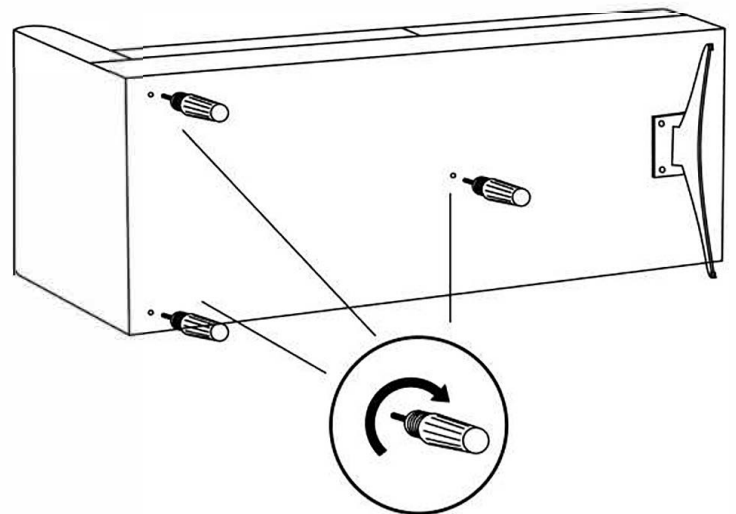
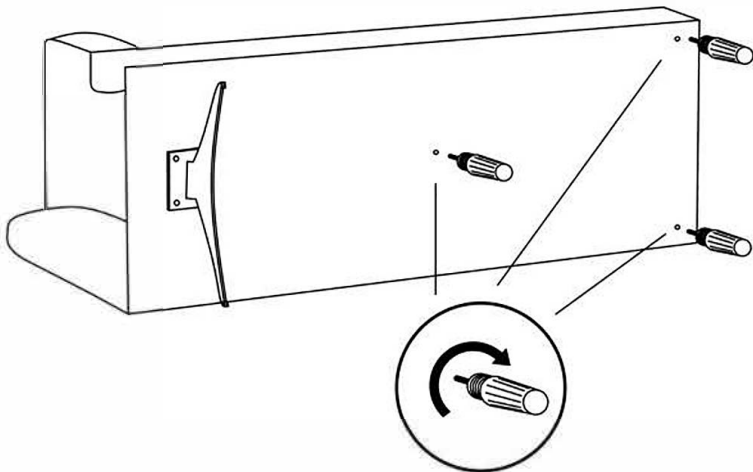
ASSEMBLY

STEP 2

Let's start with the installation of the iron legs. Please use a drill for fixing the iron legs.



Please don't use screwdriver.

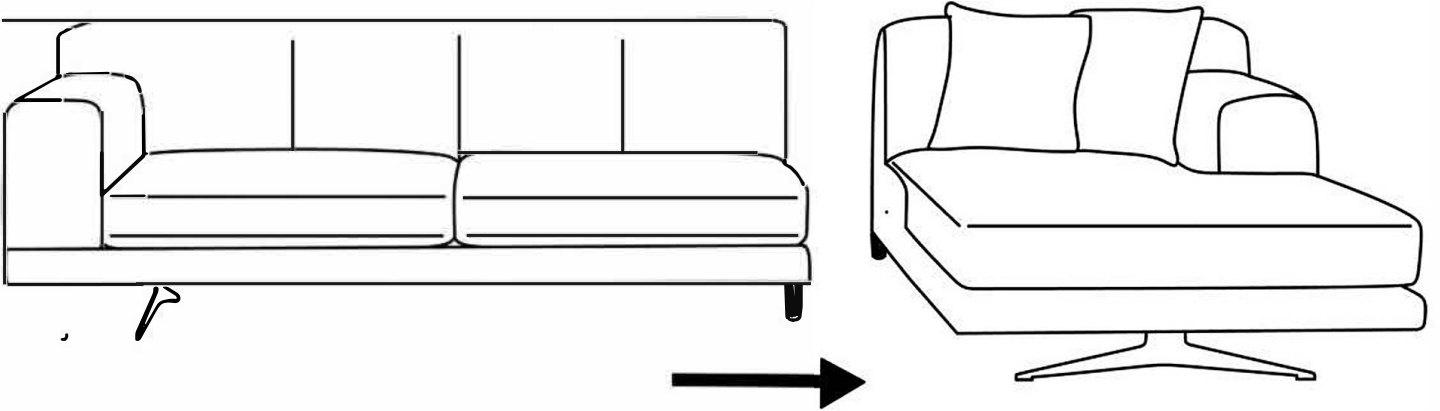


After finishing the assembly of the iron legs, let's connect the middle legs.

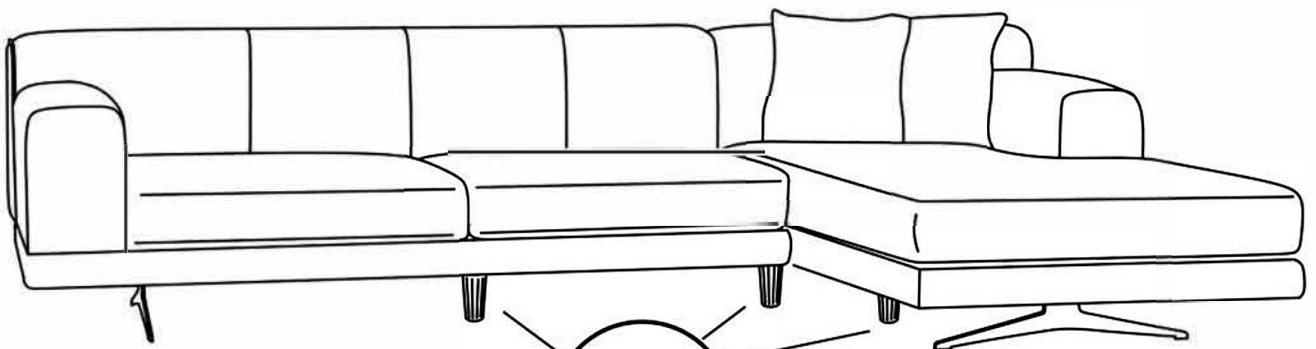
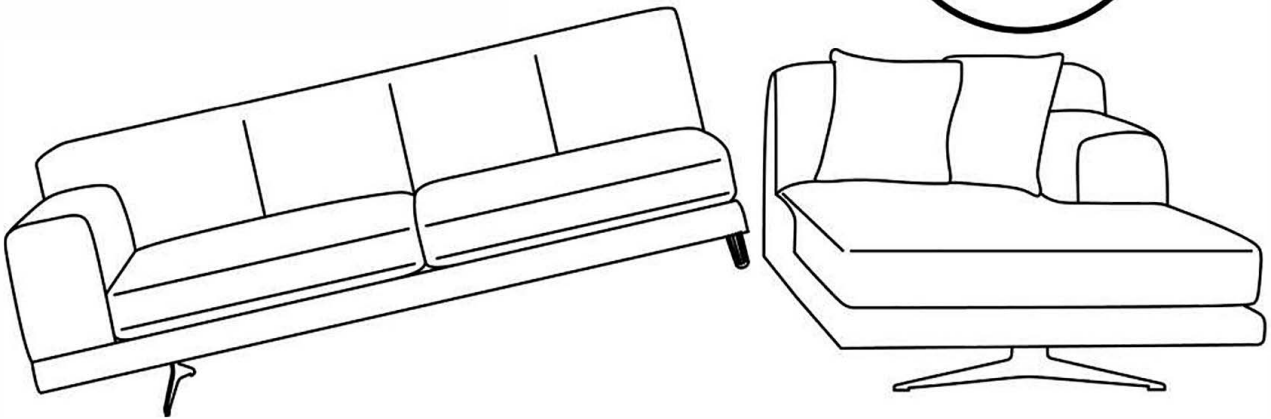
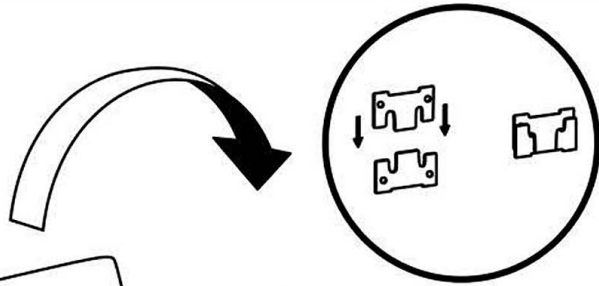
ASSEMBLY

STEP 3

After completing the legs assembly, let's assemble the part of sofa.



Let's get the joint part.



After placing the sofa, let's adjust the adjustable middle leg, according to the floor

END OF THE ASSEMBLY