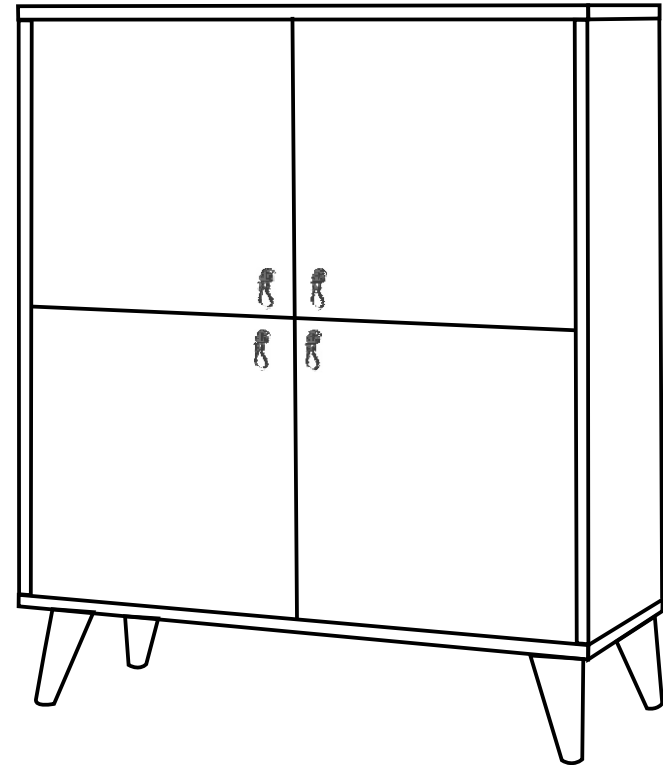
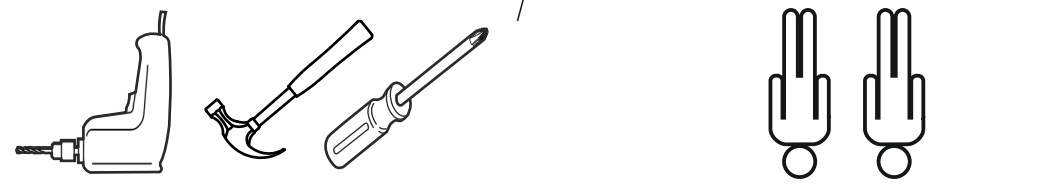
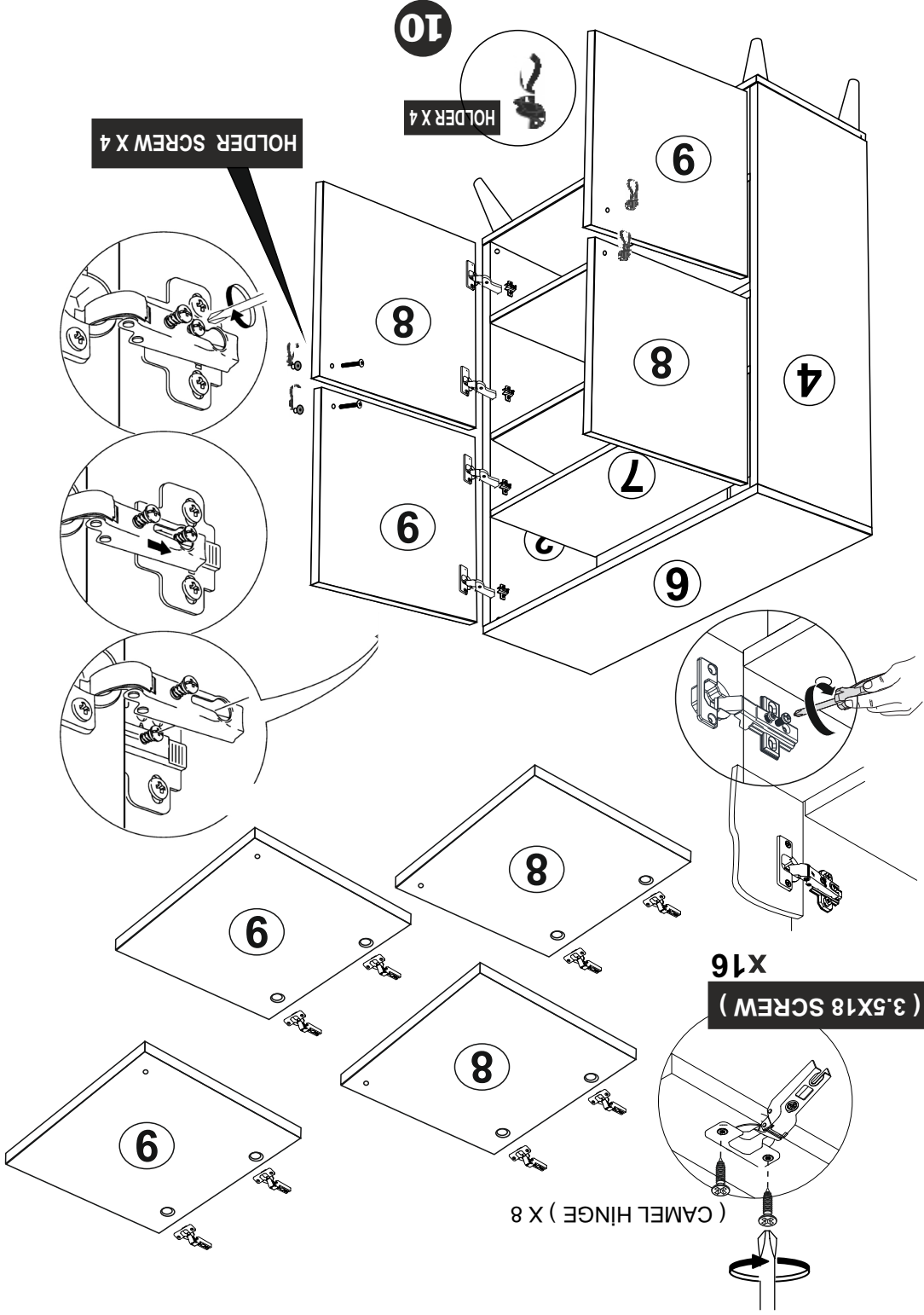


11

CITY MULTILÜX

ASSEMBLY GUIDE





This unit should be assembled by two persons.

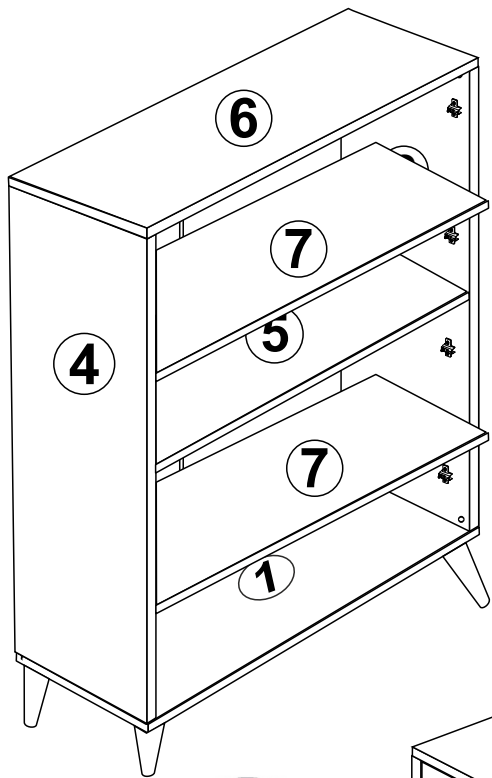
The necessary tools (not included)

| | | | |
|--|--|--|--|
| | | | |
| | | | |
| | | | |
| | | | |

ACCESSORY LIST

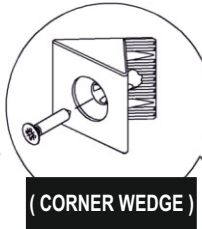
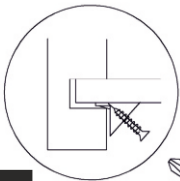
* FIX THE ACCESSORIES AS SHOWN FOLLOW THE INSTALLATION SEQUENCE WHILE INSTALLING THE PRODUCT.

1

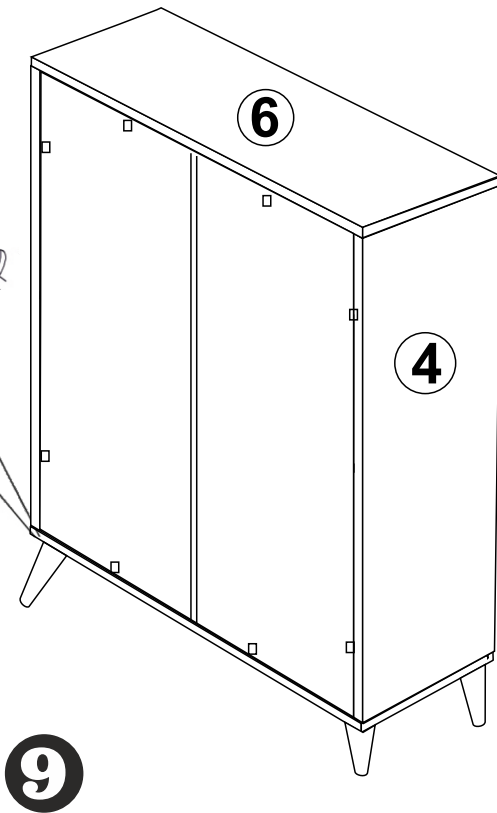


(Place Horizontal On The Movable Shelves.)

(3.5X18 SCREW) x8

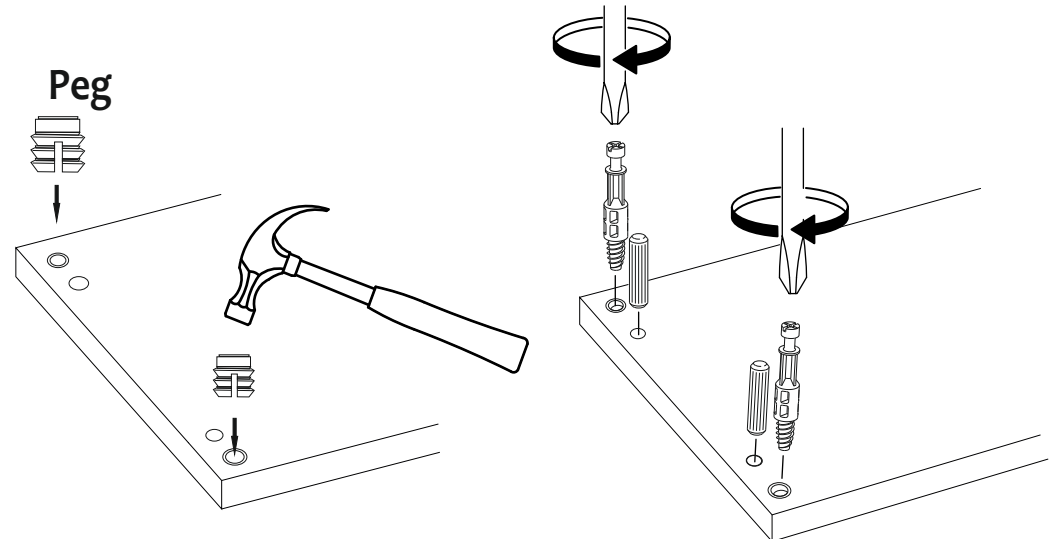


(CORNER WEDGE)



ATTENTION !!

Minifix and Dowel is the main connection material used in products. Before starting assembly, please check the drawings below...



(MINIFIX BODY)

(MINIFIX SHAFT)

(DOWEL)

