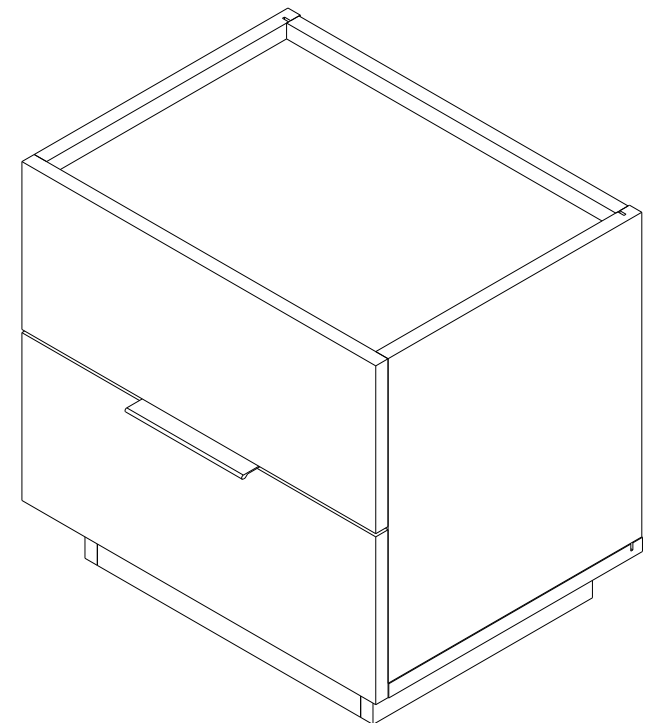
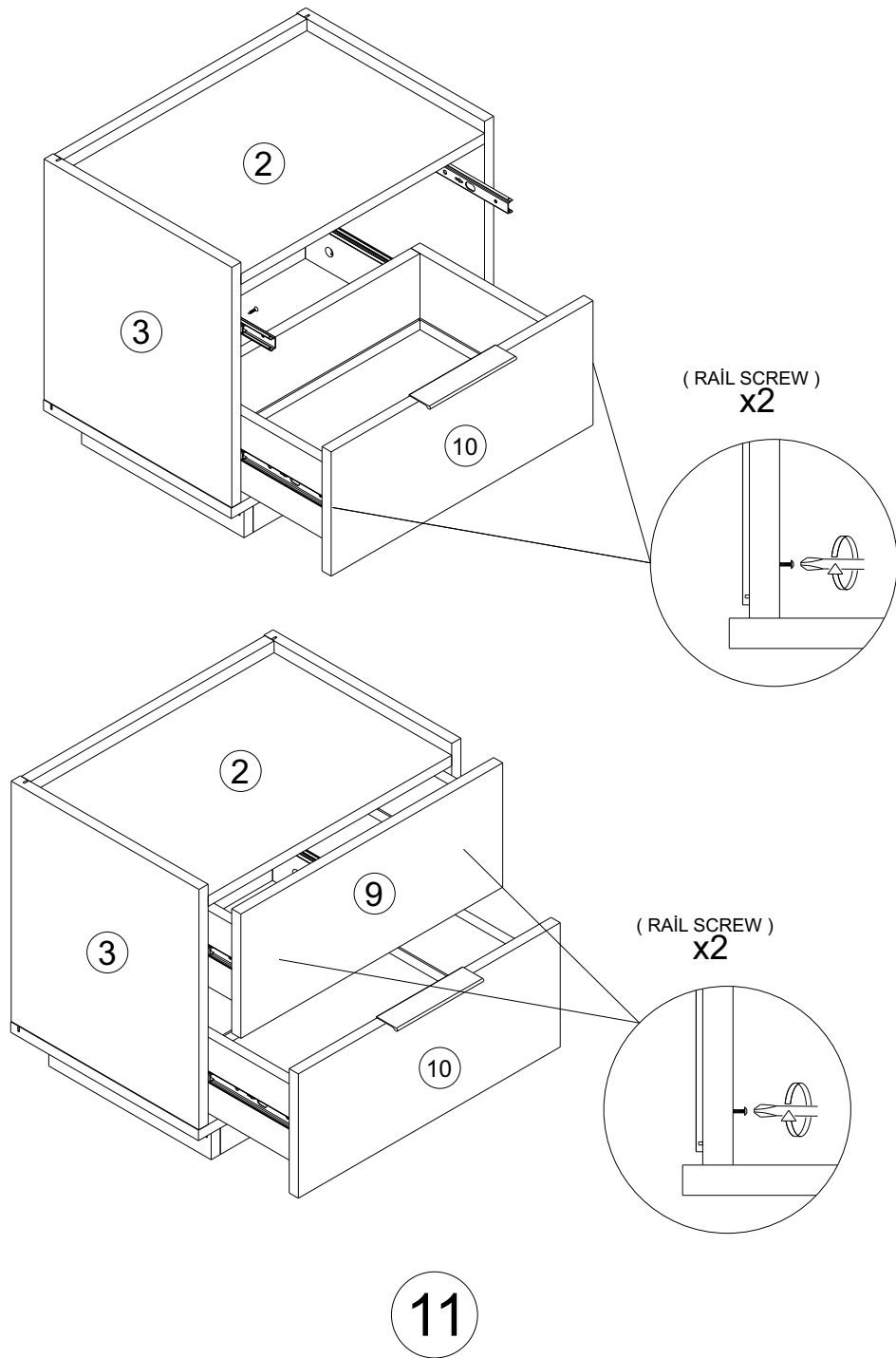
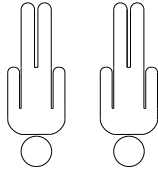


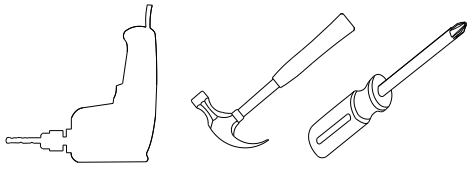
LUKE NIGHTSTAND

ASSEMBLY GUIDE





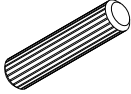
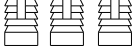
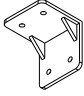
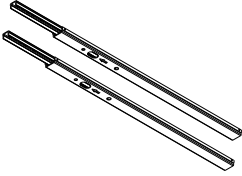




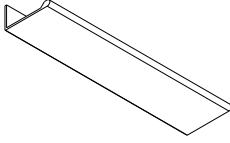



This unit should be assembled by two persons.



The necessary tools (not included)

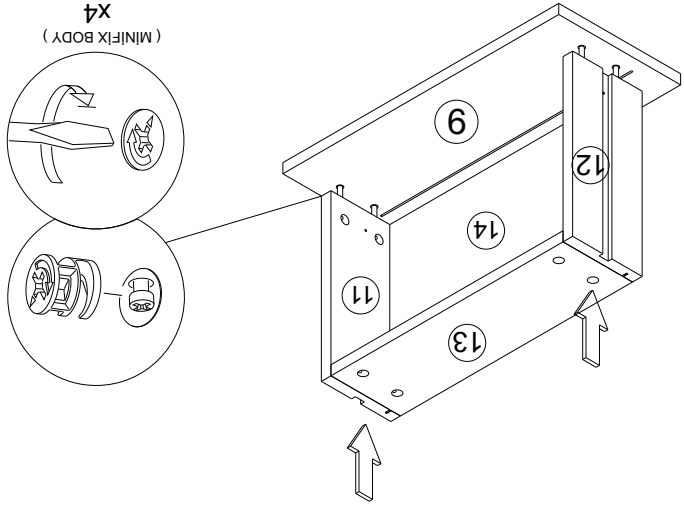
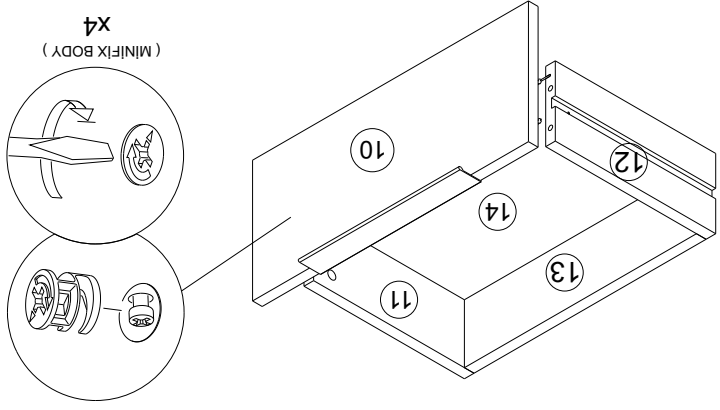
ACCESSORY LIST

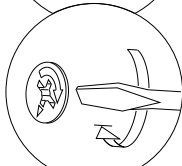
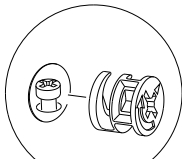
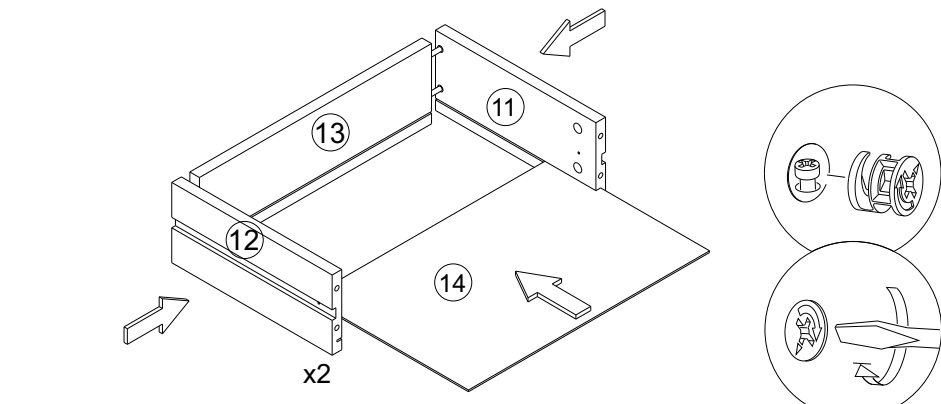
	MINIFIX SHAFT X 24		MINIFIX BODY X 24		DOWEL X 12		PEG X 24		CORNER CONNECTION X 4		30CM DRAWER RAIL X 2		RAIL SCREW X 4		3.5X50 SCREW X 4		CORNER WEDGE X 4		3.5X18 SCREW X30		HOLDER X 1		MINIFIX BODY X 4
---	--------------------	---	-------------------	---	------------	---	----------	---	-----------------------	--	----------------------	---	----------------	---	------------------	---	------------------	---	------------------	---	------------	---	------------------

* FIX THE ACCESSORIES AS SHOWN FOLLOW THE INSTALLATION SEQUENCE WHILE INSTALLING THE PRODUCT.

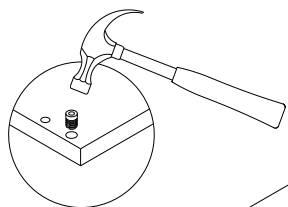
1

10

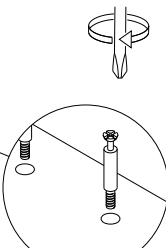
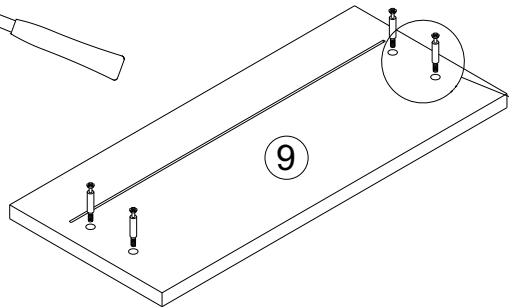




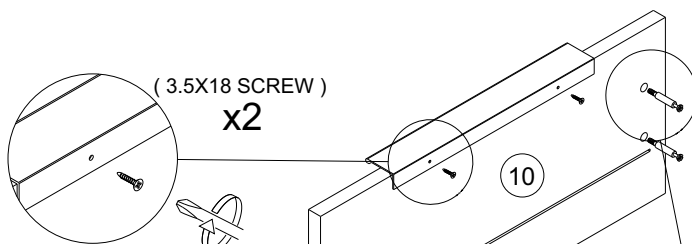
(MINIFIX BODY)
x8



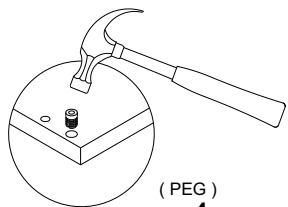
(PEG)
x4



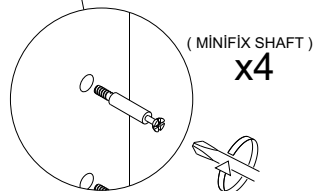
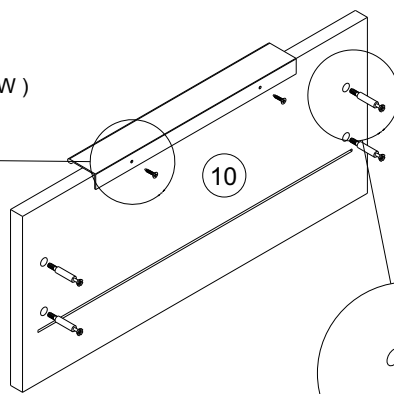
(MINIFIX SHAFT)
x4



(3.5X18 SCREW)
x2



(PEG)
x4

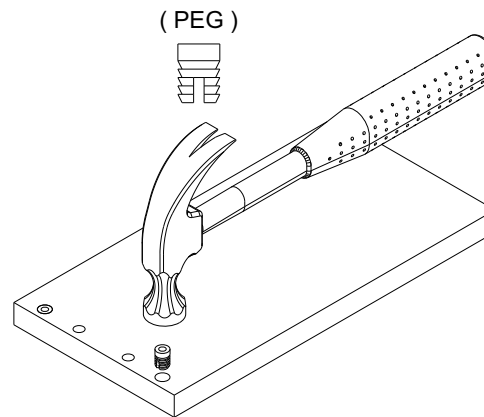


(MINIFIX SHAFT)
x4

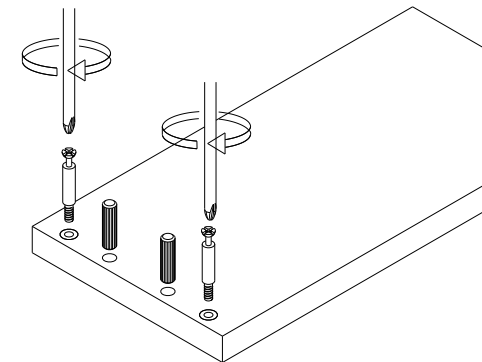
9

ATTENTION !!

Minifix and Dowel is the main connection material used in products.
Before starting assembly, please check the drawings below...



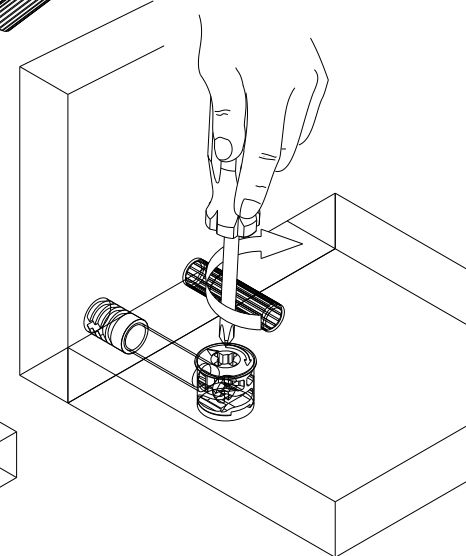
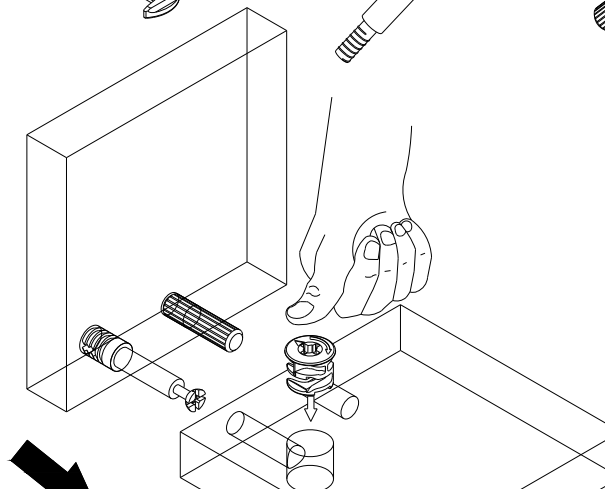
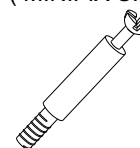
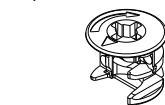
(PEG)



(MINIFIX BODY)

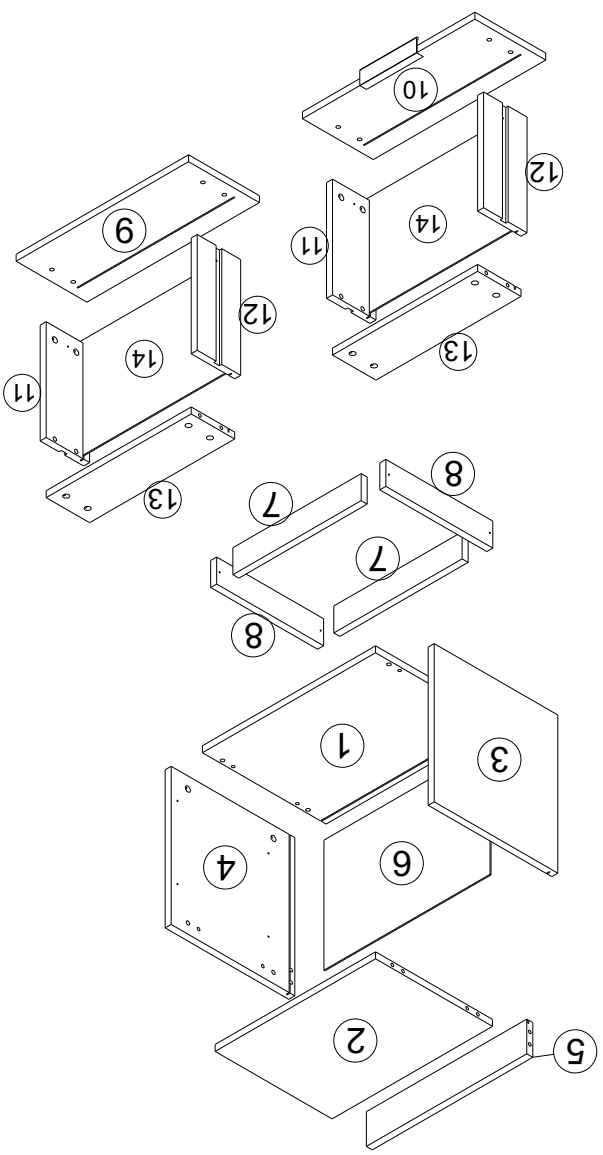
(MINIFIX SHAFT)

(DOWEL)



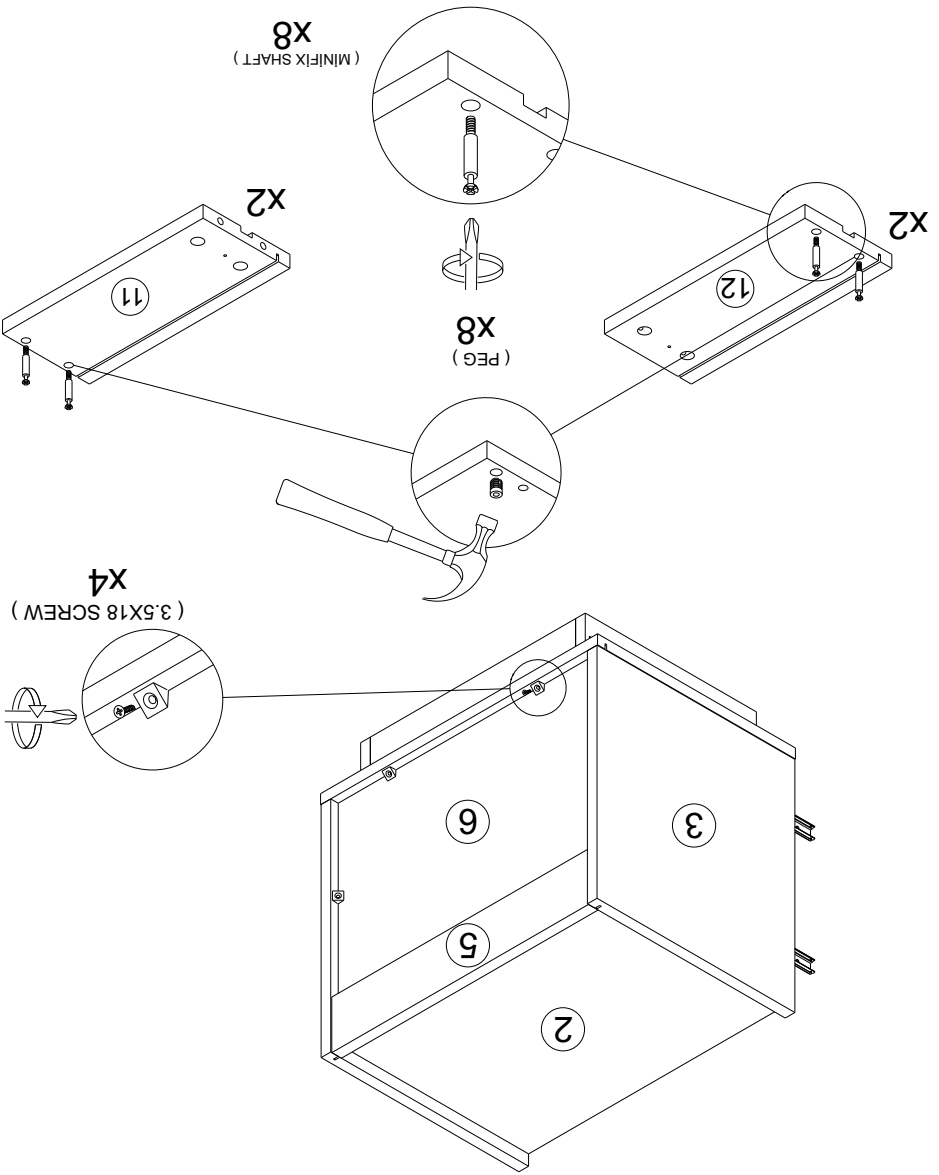
2

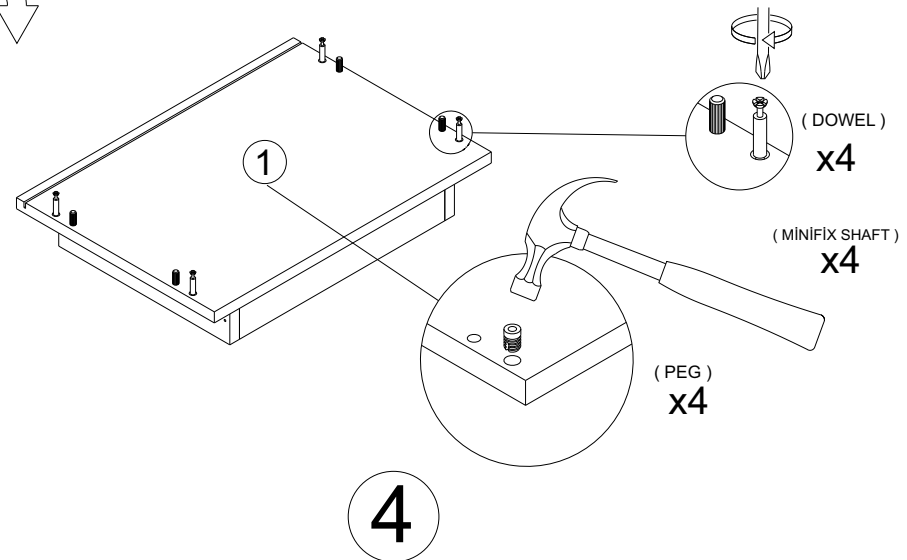
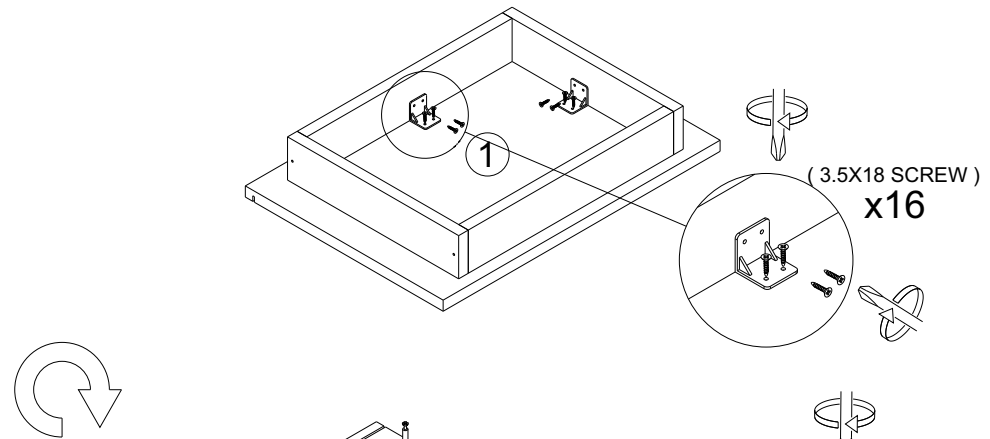
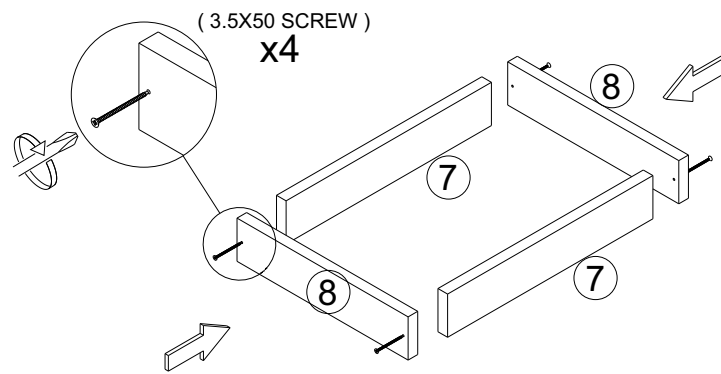
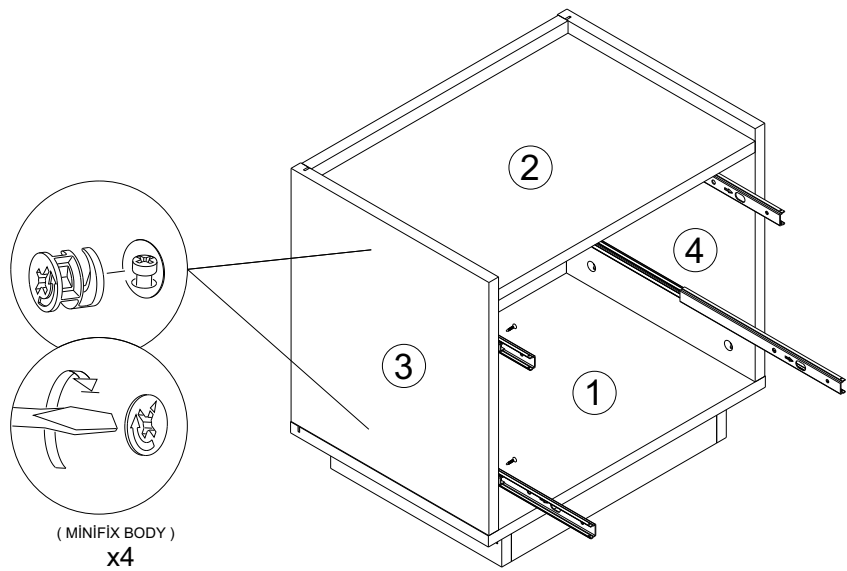
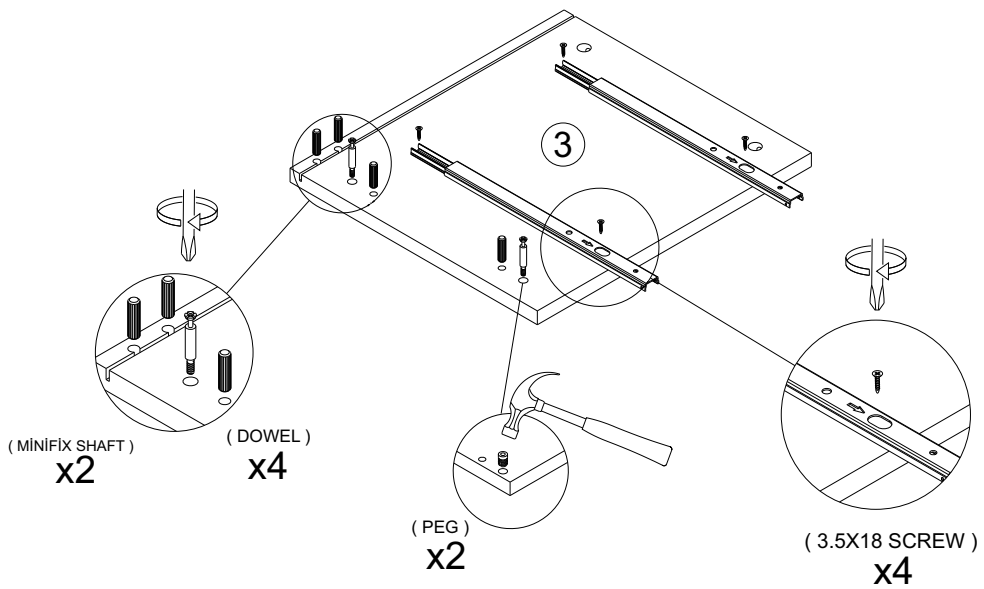
3



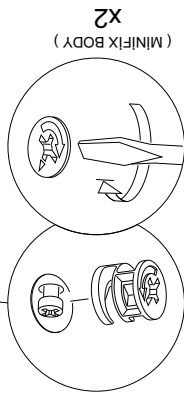
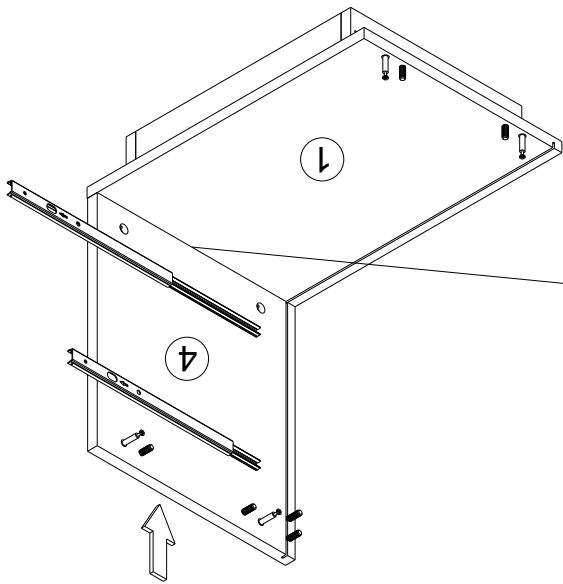
GENERAL VIEW

8





5

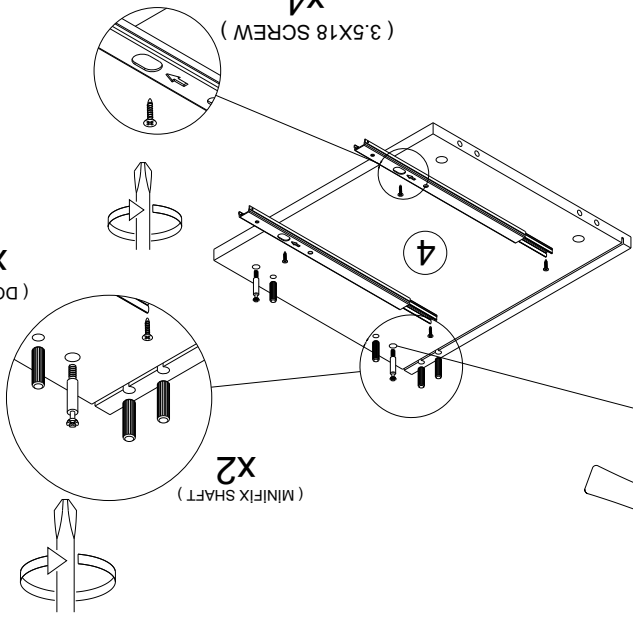


X4 (3.5X18 SCREW)

X4 (DOWEL)

X2 (MINIFIX SHAFT)

X2 (PEG)



6

