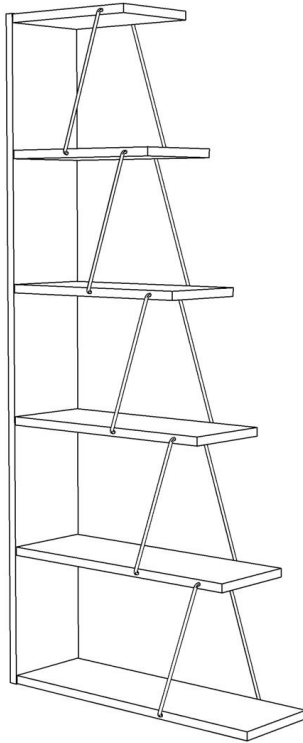


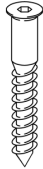
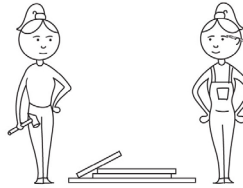
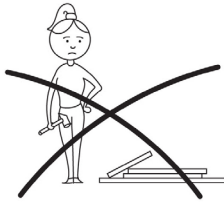
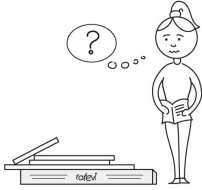
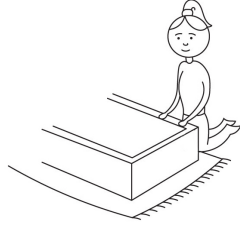
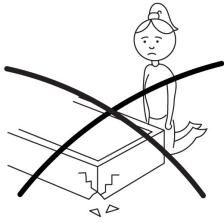
TARS

MINI BOOKCASE

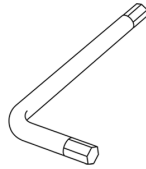


Assembly Instructions





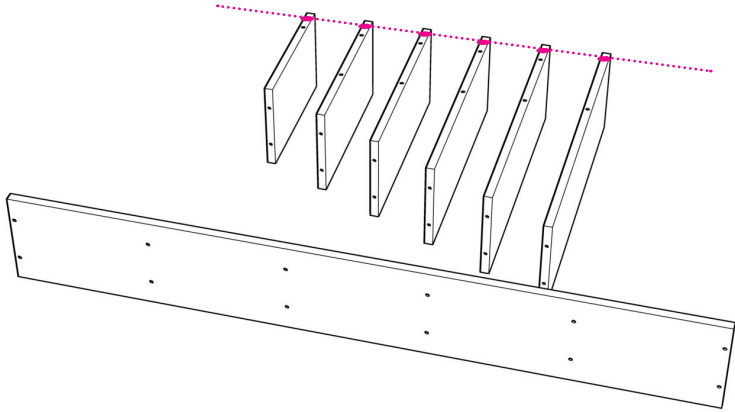
a x 12



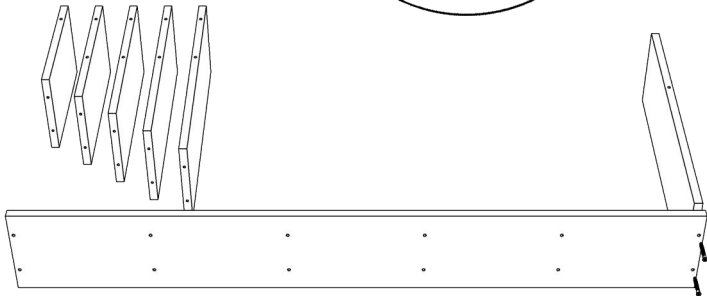
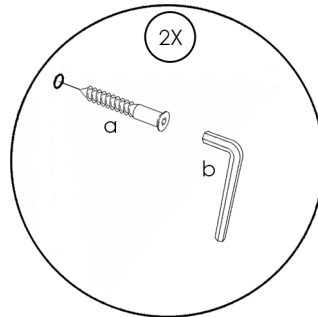
b x 1

1

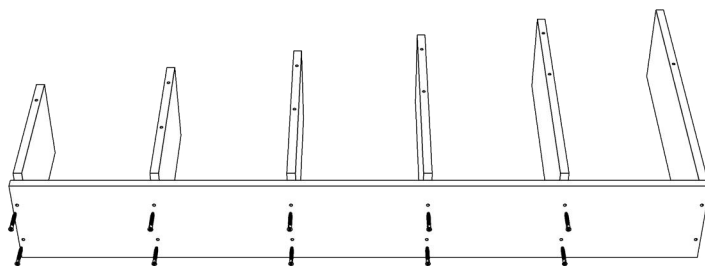
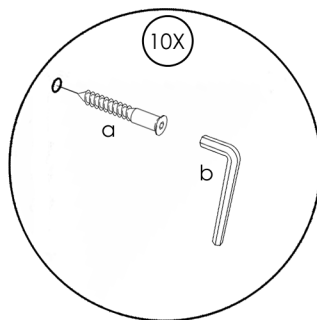
Make sure that the pink stickers faces up.



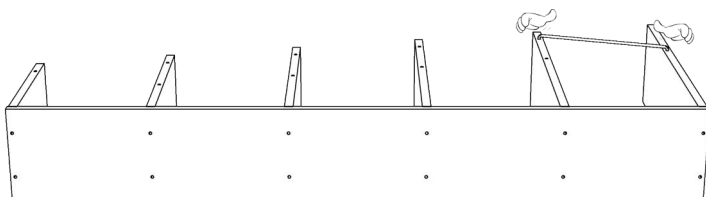
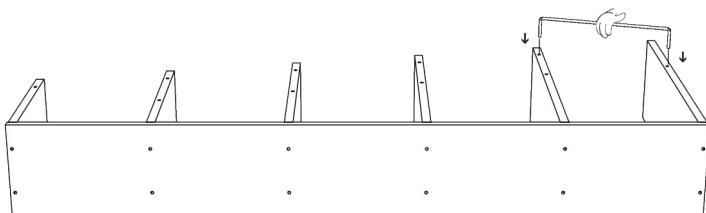
2



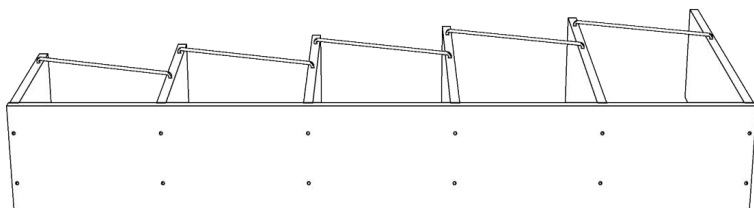
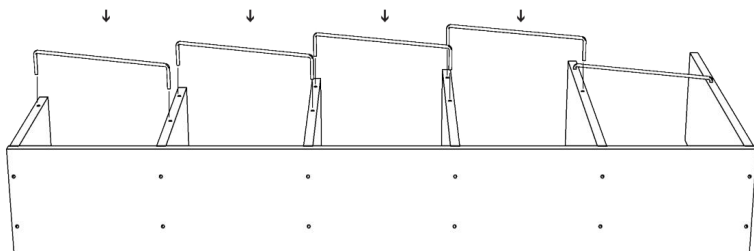
3



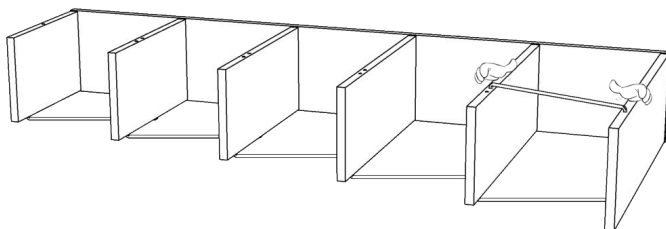
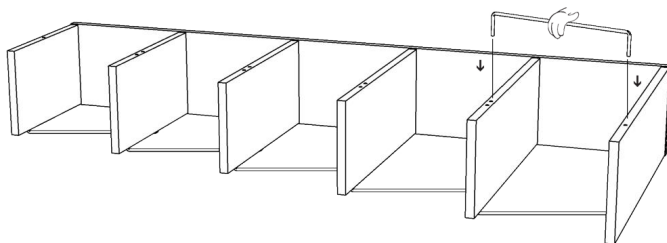
4



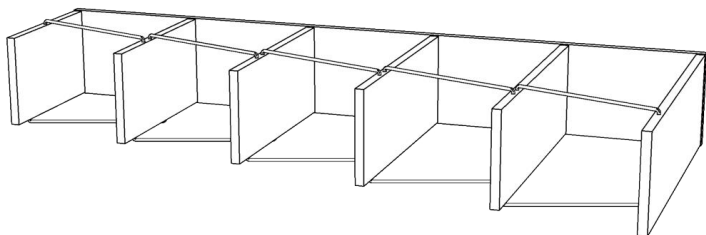
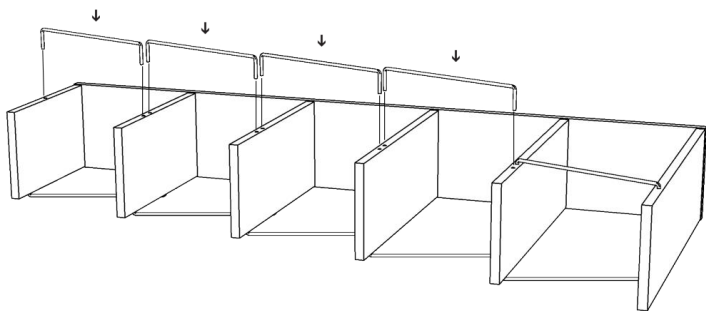
5



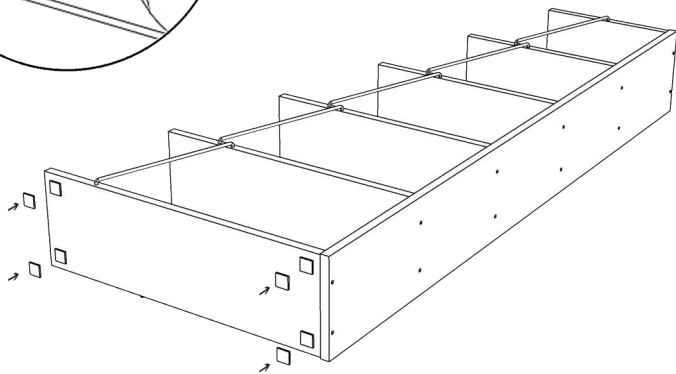
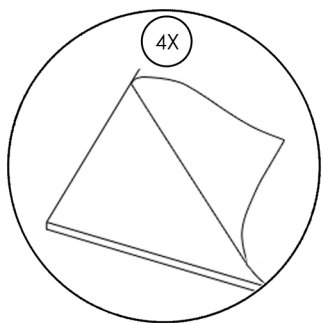
6



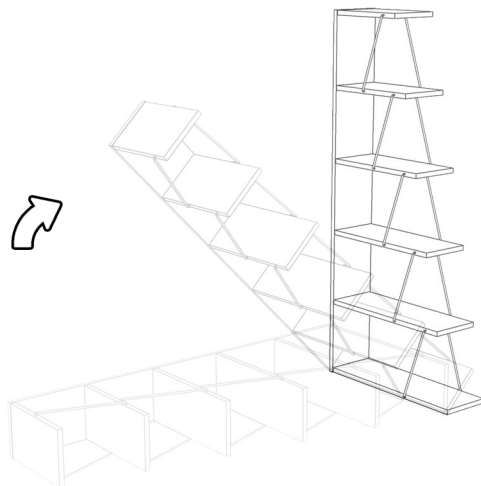
7



8

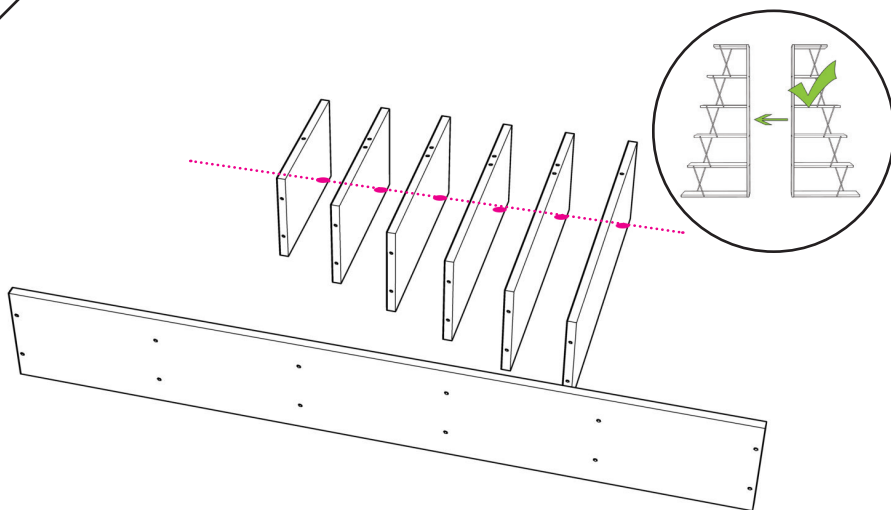


9



Tars is ready to use. Would you like to share a photo with your friends?
#rafevi #tars

!



To set up a second product symmetrically, make sure that the pink stickers faces down as shown above and follow the second step.

