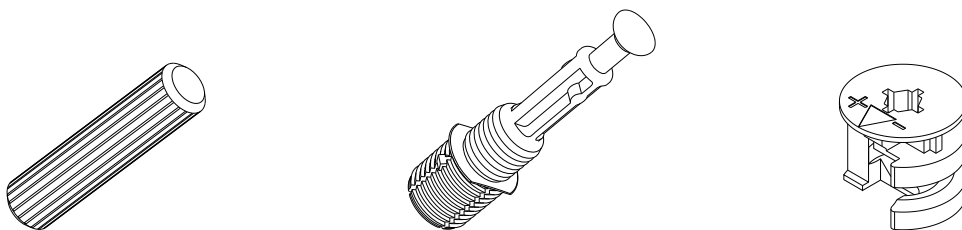




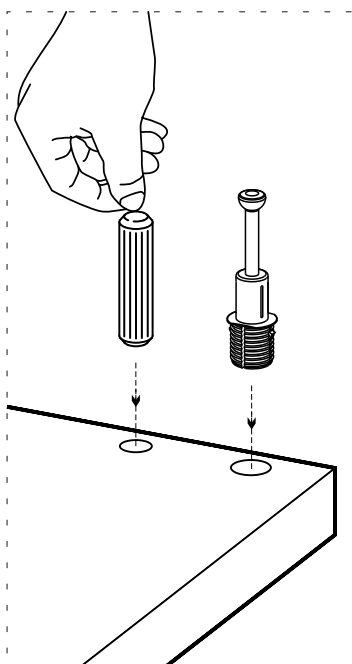
ATTENTION !!

Minifix is the main connection material used in demoduler products. Before starting the assembly, please check the drawings below.

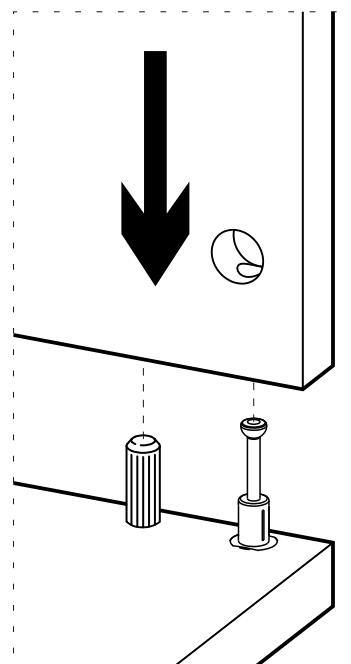
demoduler®
home decor



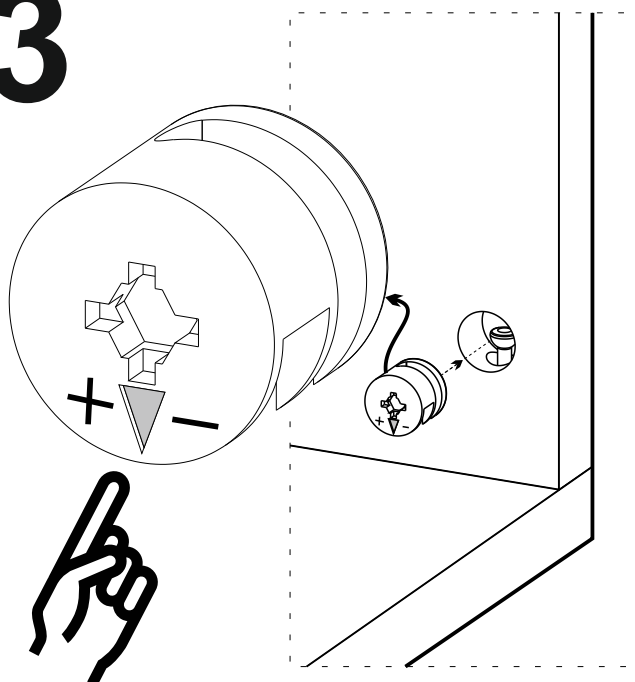
1



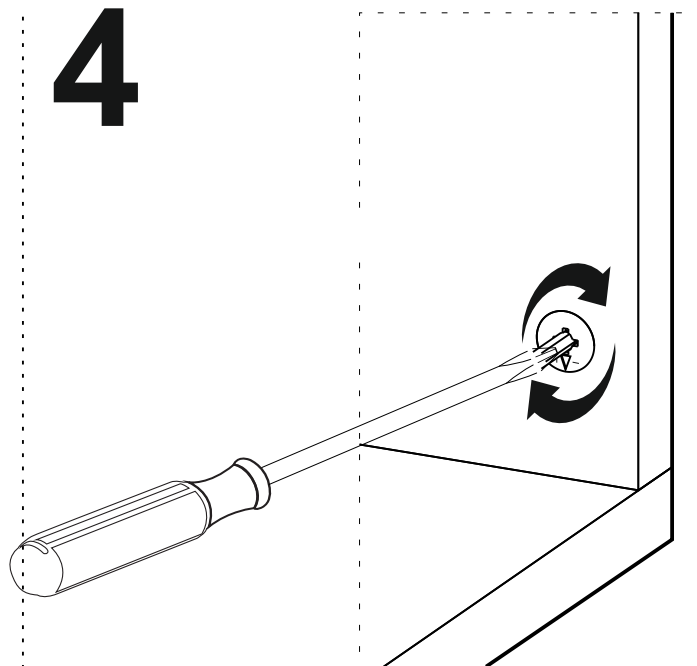
2



3



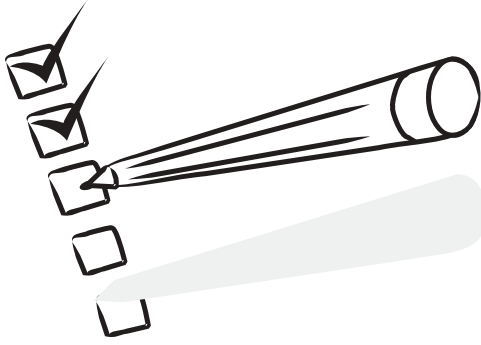
4





Dear Customer,

We design and produce our product for people to love and have fun with them as we do. The product you bought was subjected to all sorts of tests and control before sending out to you.



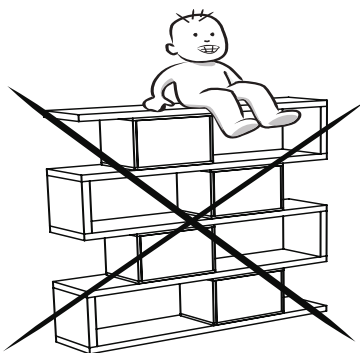
Before start assembling, please check the whole components and accessories according to the lists. If you bought more than one product, to prevent confusion be sure that you completed the first product. Then start the other product's assembling.



Before start assembling, please clean all the components with a damp cloth. Also for usual cleaning, this will be enough.



Although all the products are produced and packed carefully, sometimes happen that some component is damaged during the transportation. In such a case please check the missing or damaged part and do not hesitate to contact us.


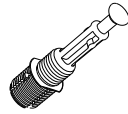
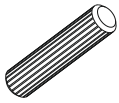





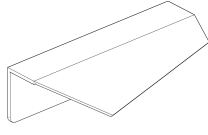
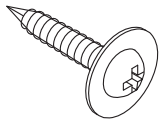
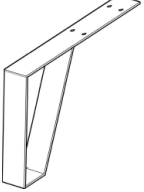
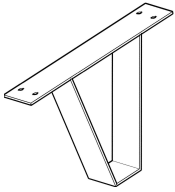

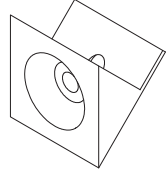


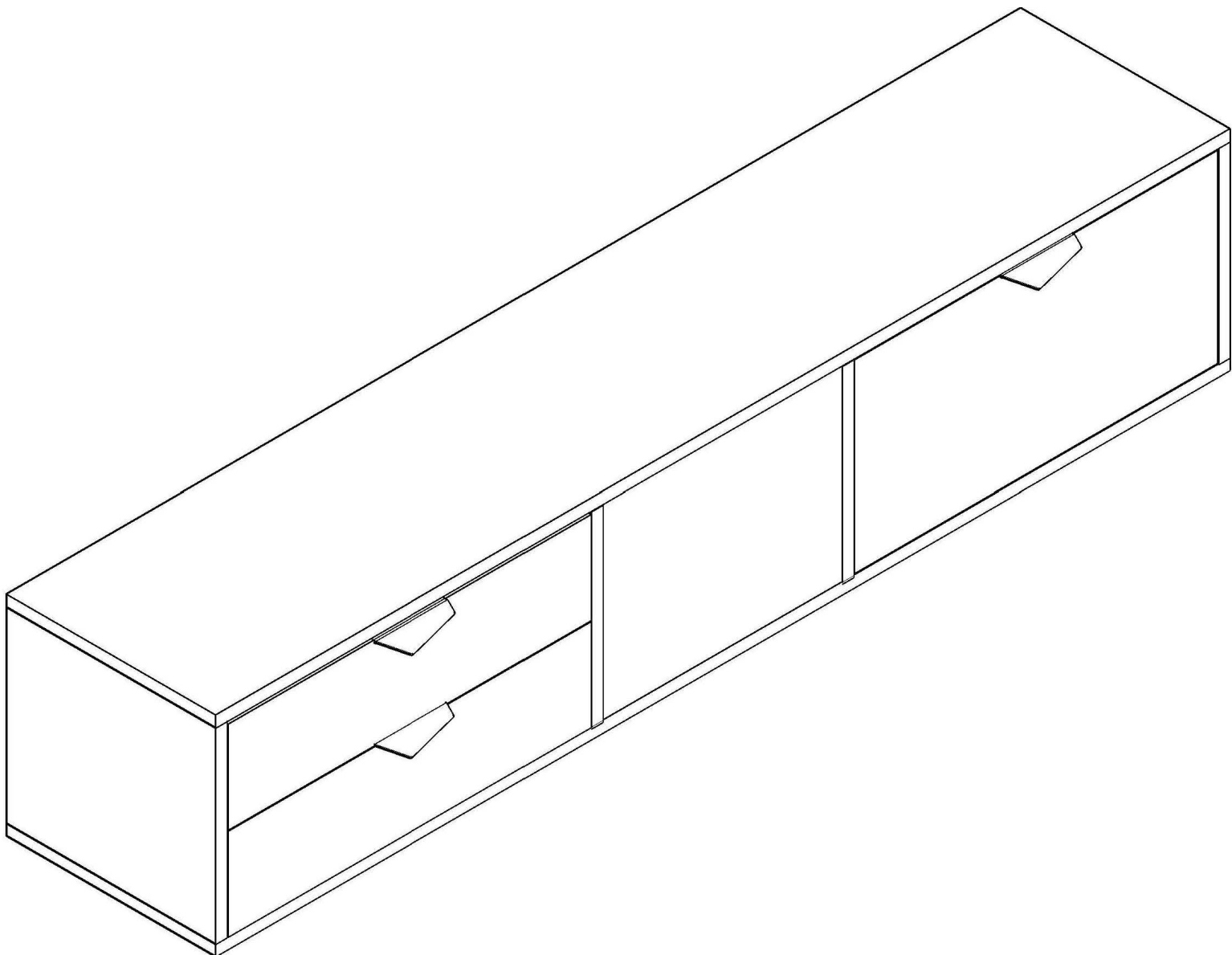
Do not use furniture for out of purposes. If you would like to use it, please contact us for further questions. Do not directly contact your furniture with excessive heat, cold and humidity because the product can be affected.

Follow the installation steps in the order as shown.
Position the parts as shown in the installation guide steps.

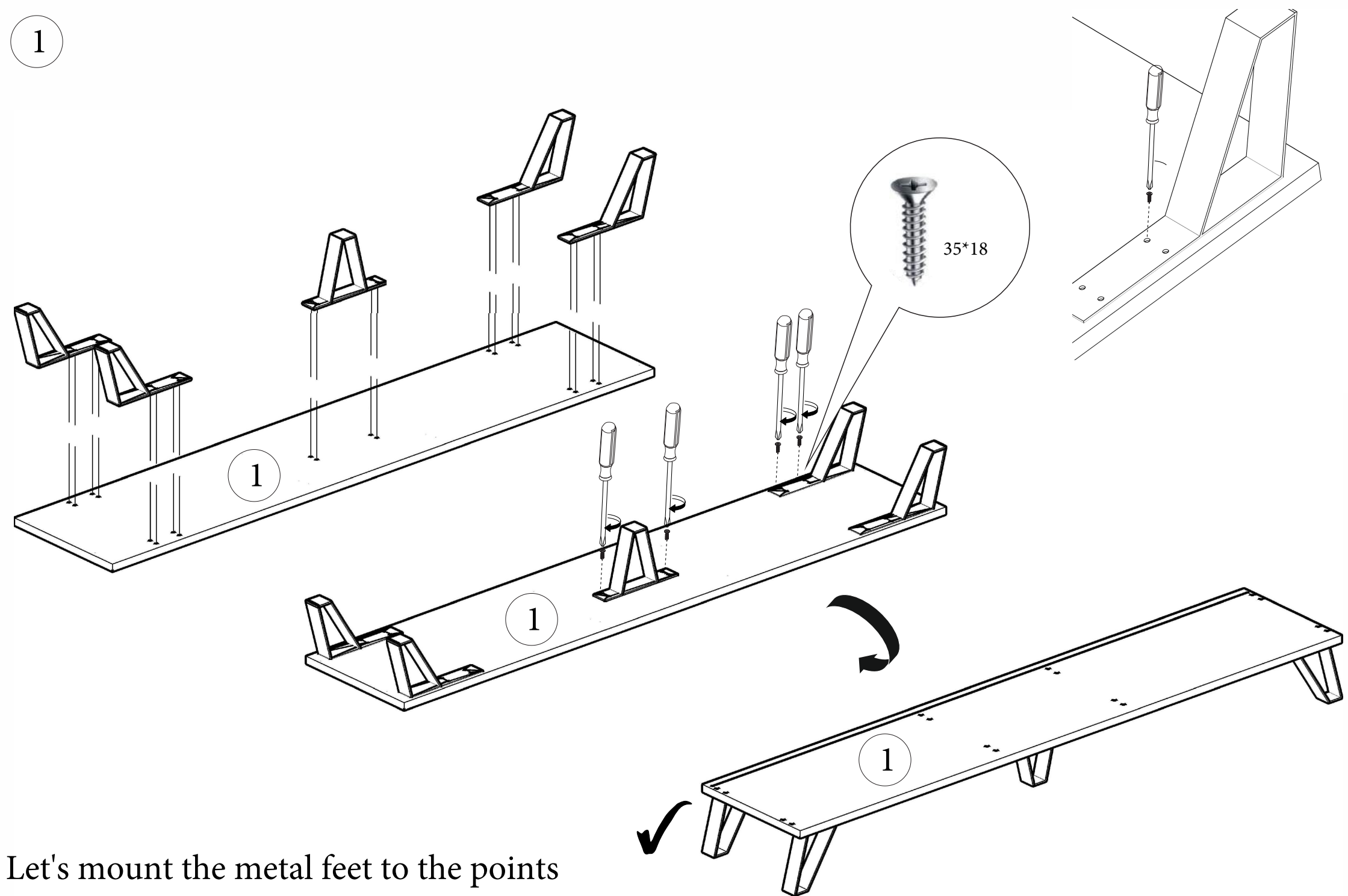


ACCESSORY LIST

 28x	 28x	 20x	 18mm 28x	 3,5x18 86x
 2x	 2x	 4x	 3x	 4x
 4x	 1x	 5x	 20x	

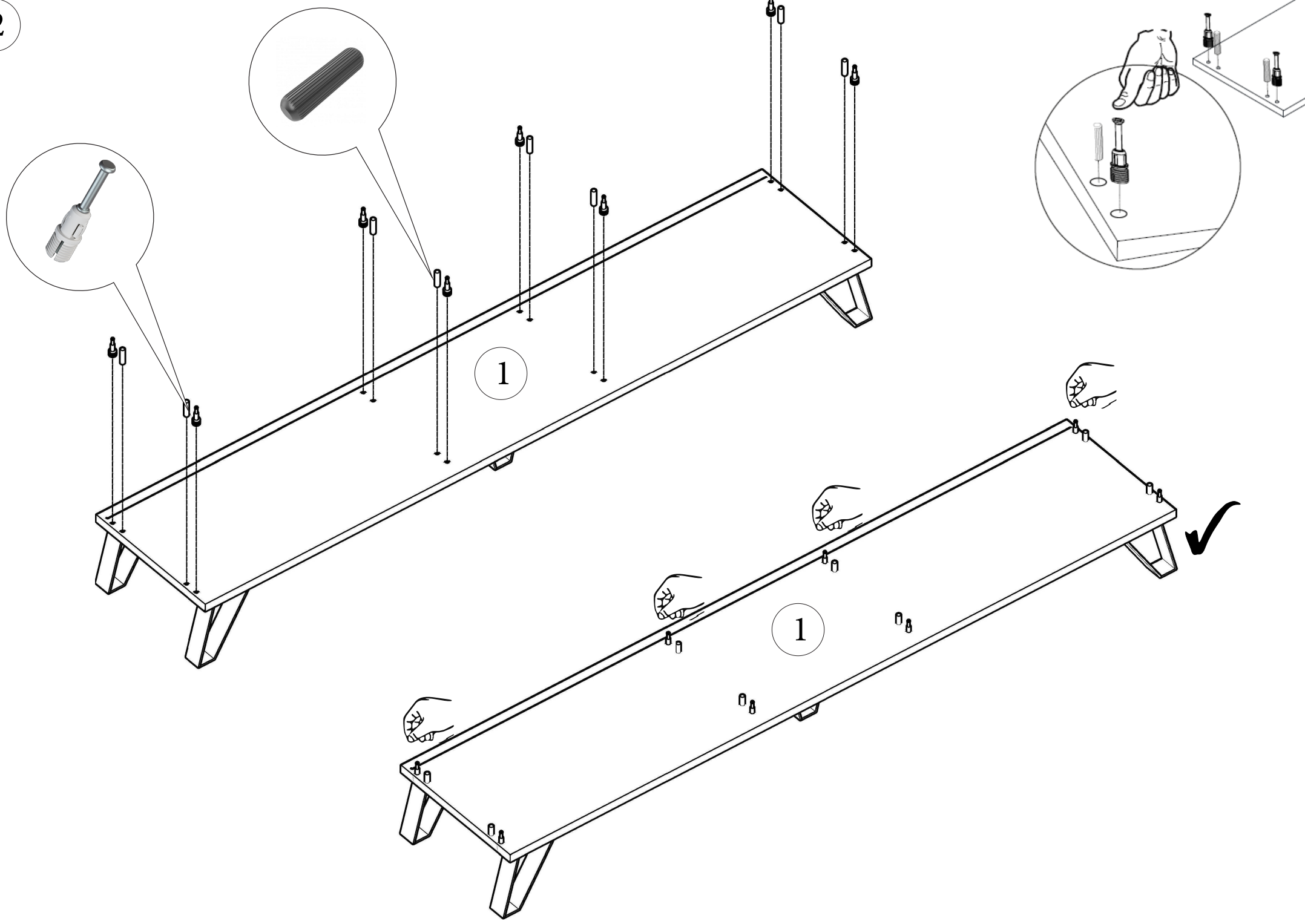


1

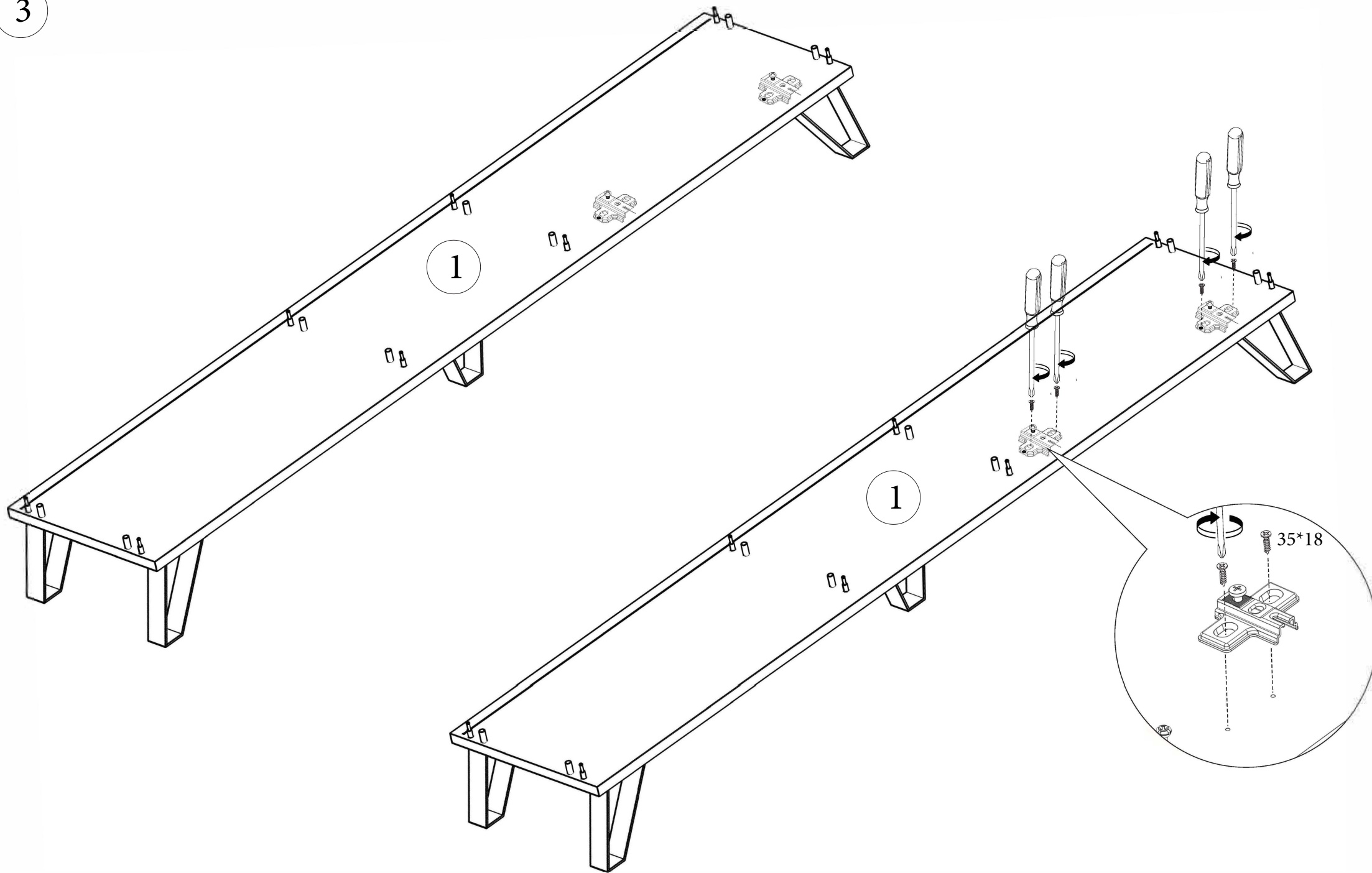


Let's mount the metal feet to the points shown with the help of 35*18 screws.

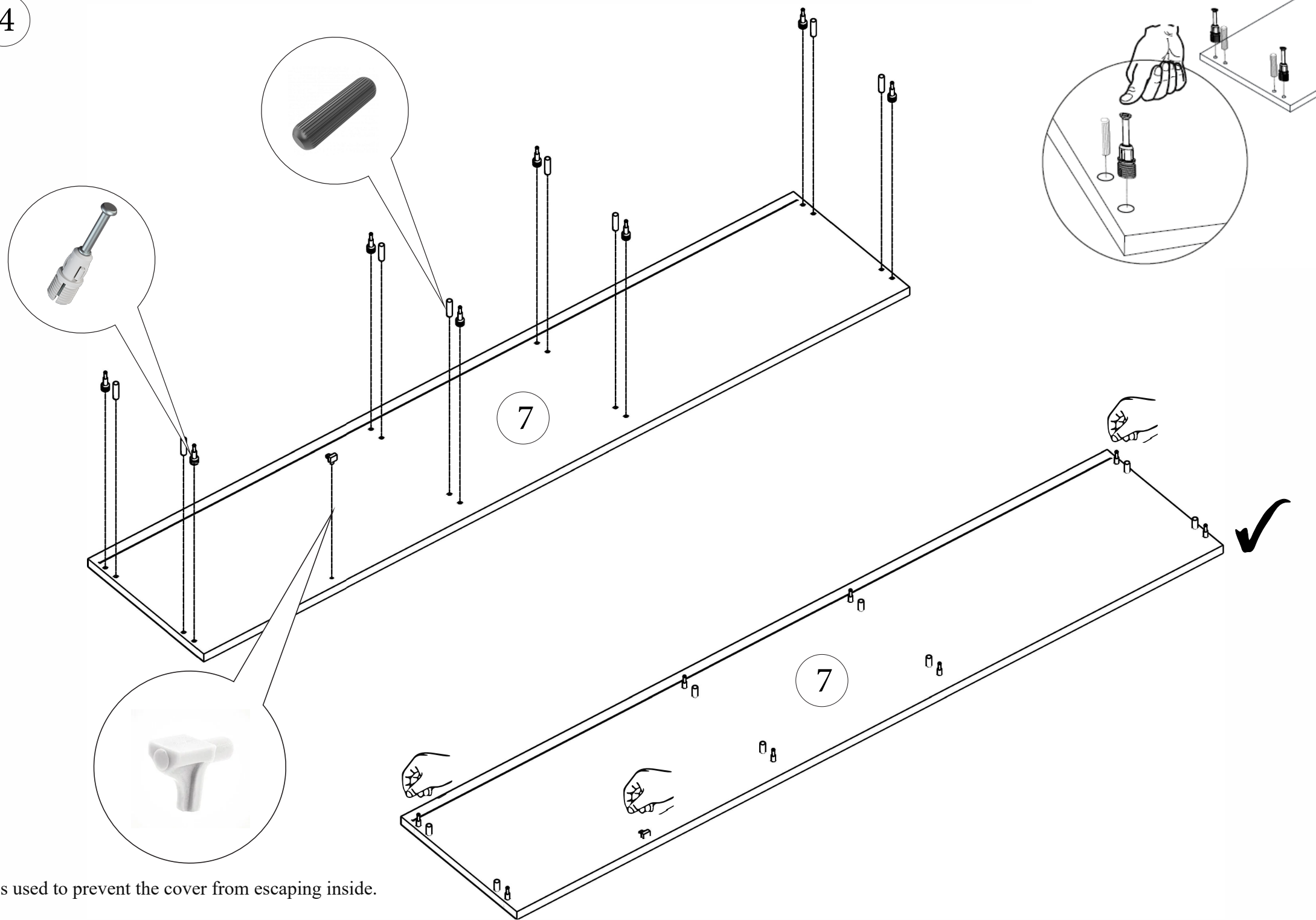
2



3

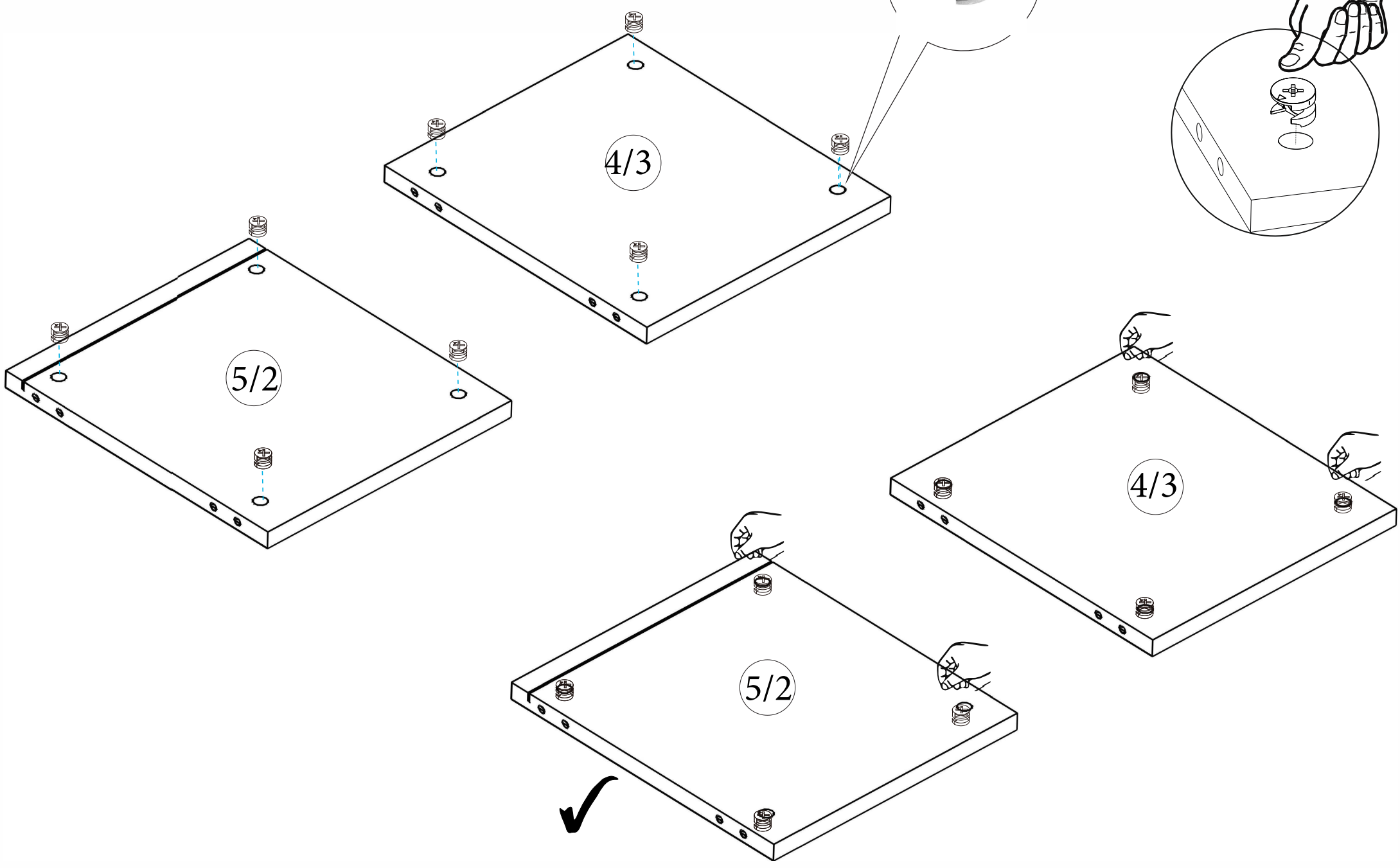


4

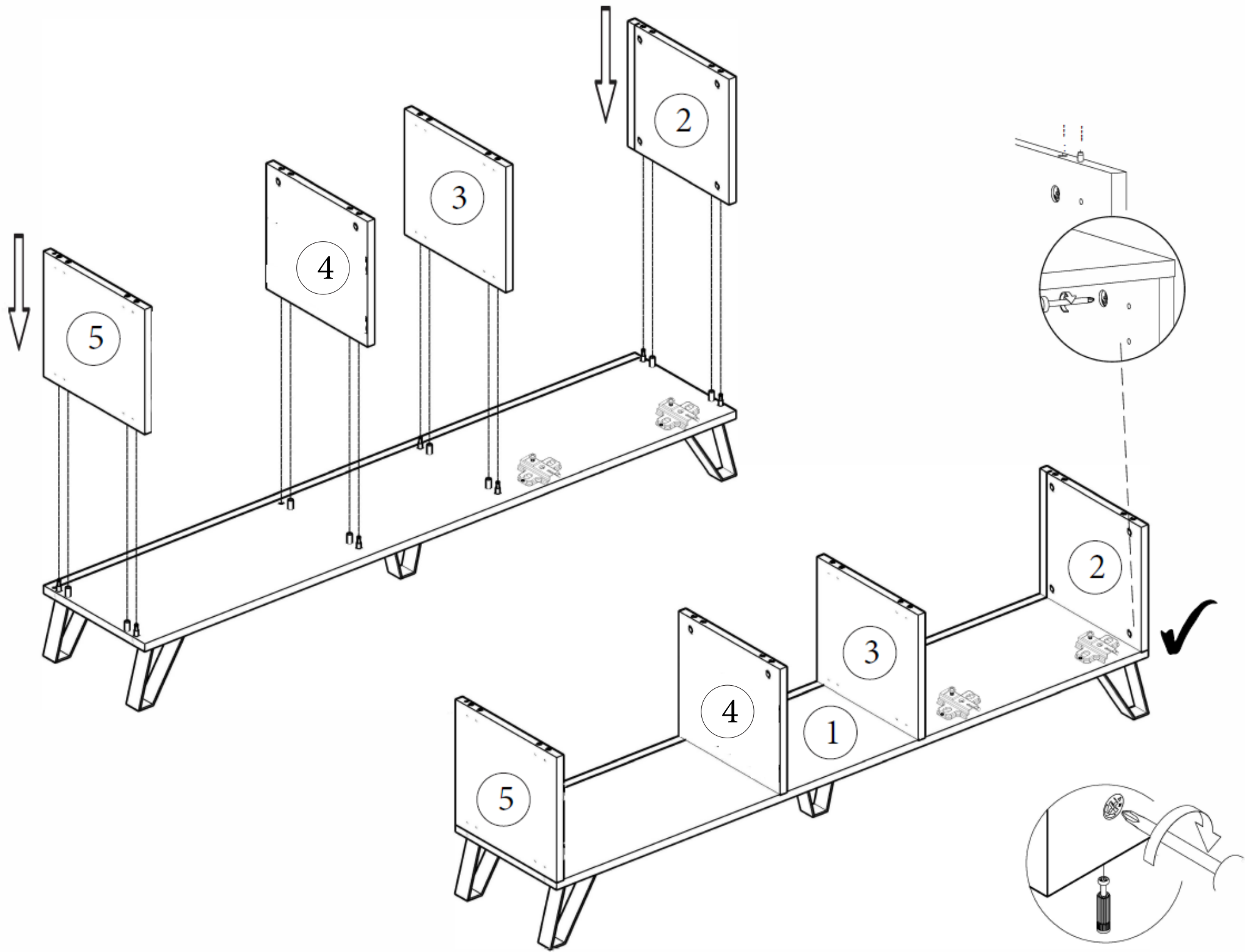


It is used to prevent the cover from escaping inside.

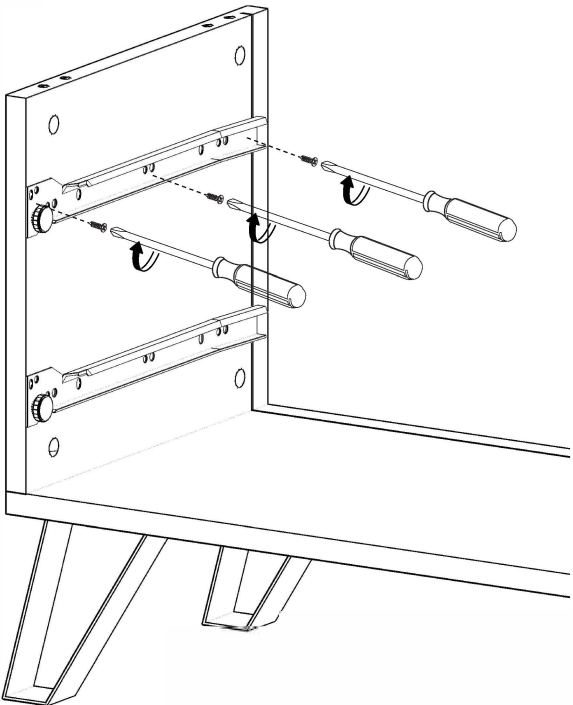
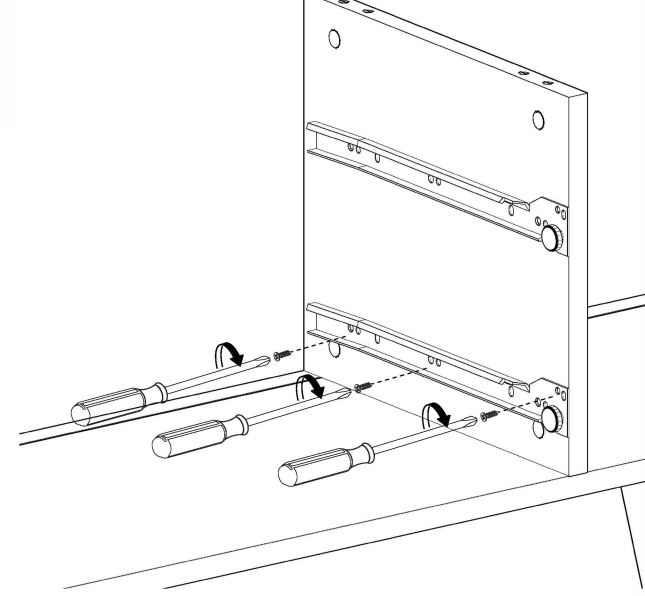
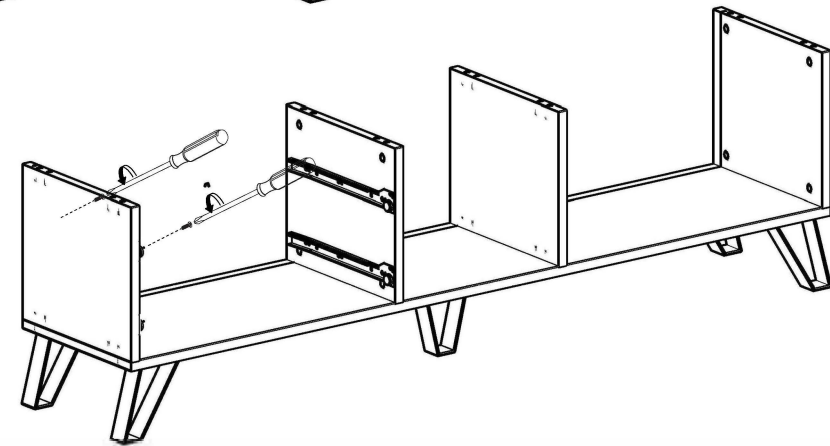
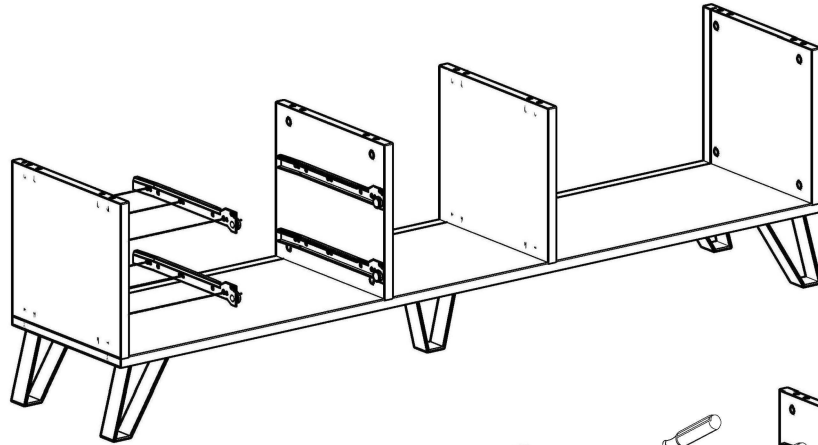
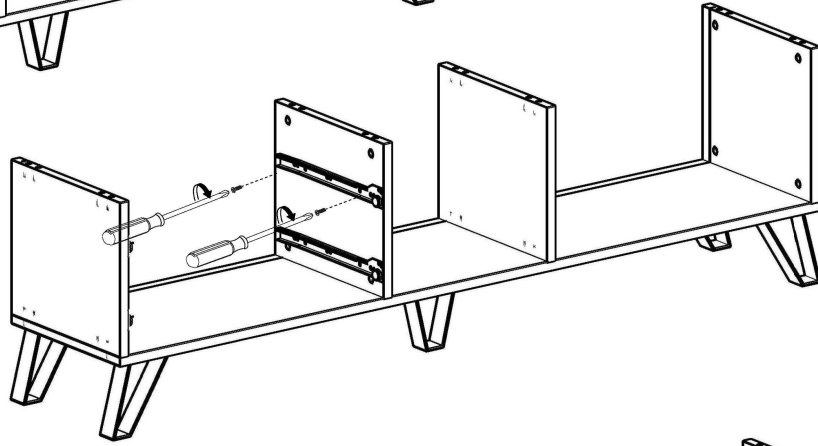
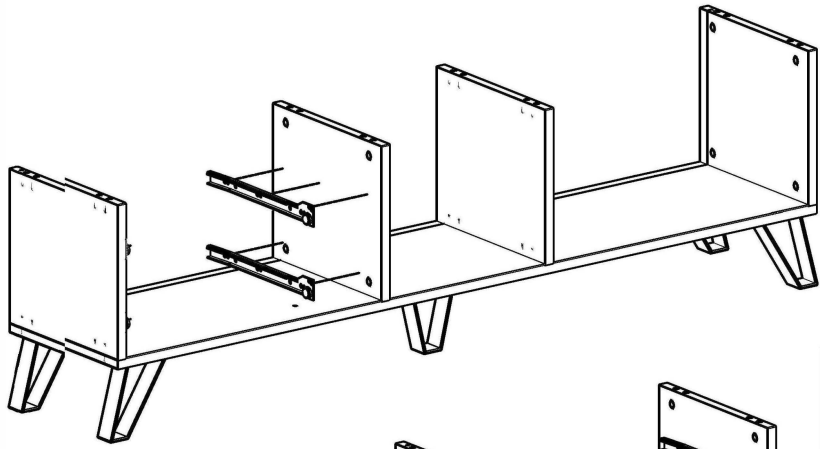
5



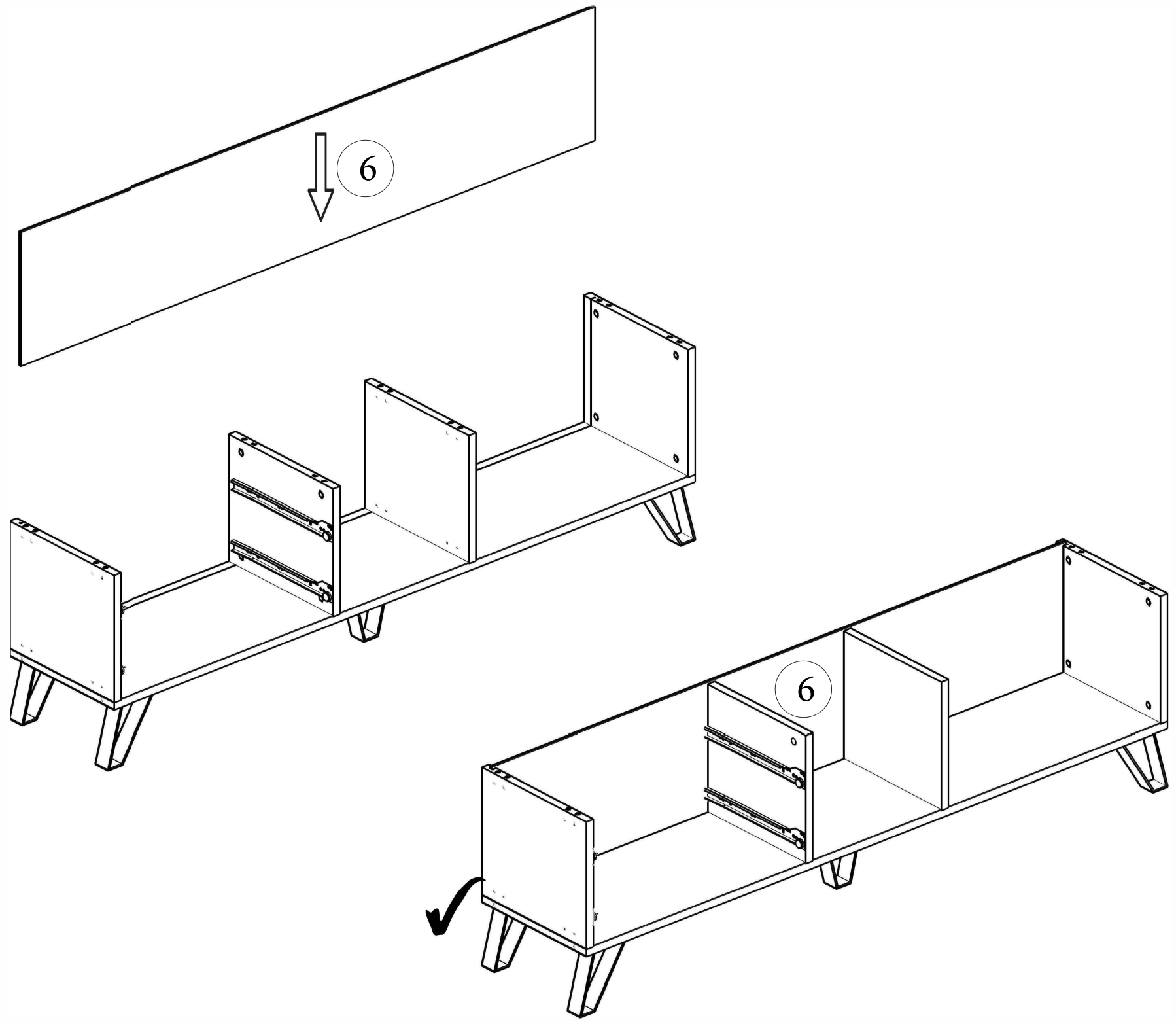
6



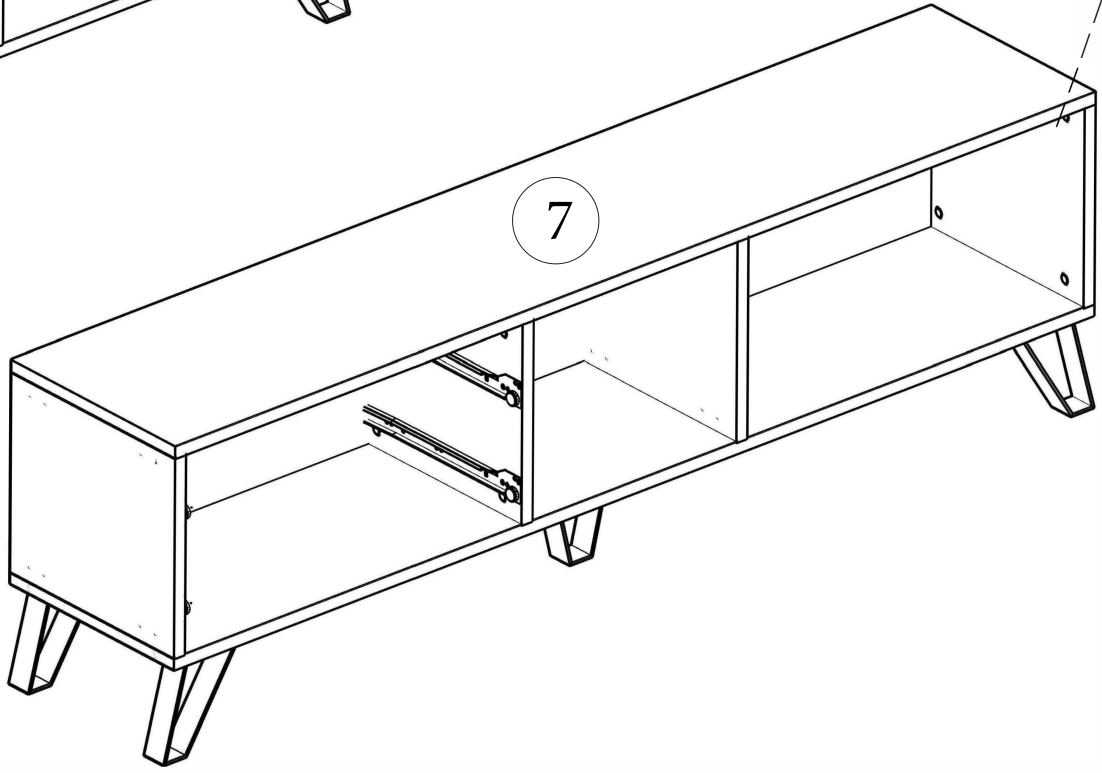
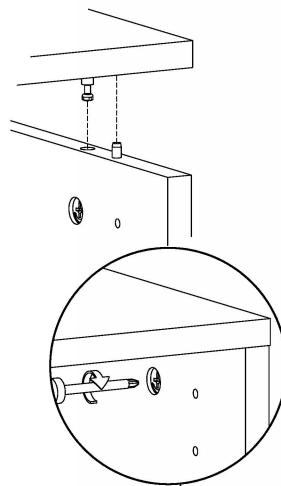
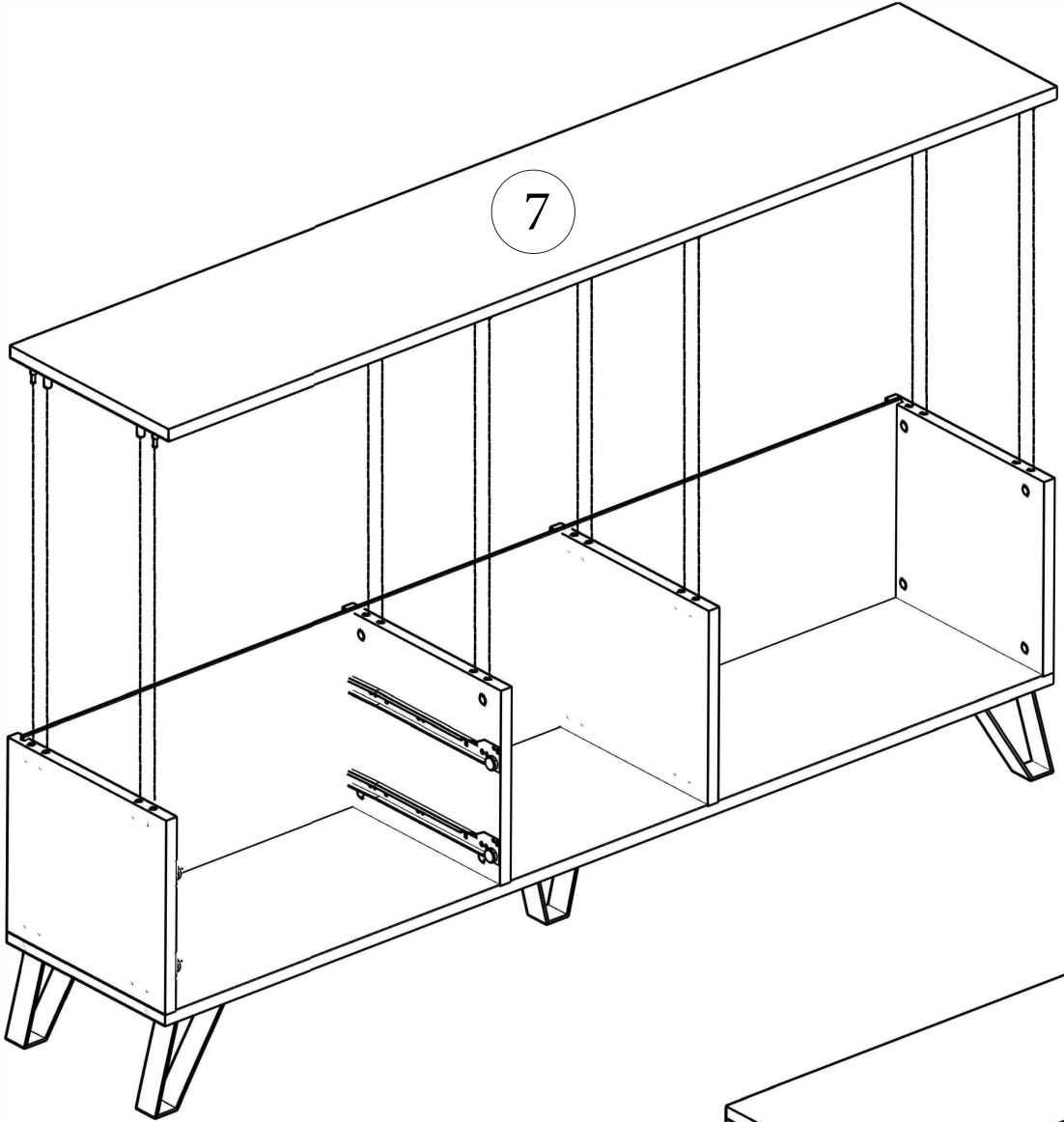
7

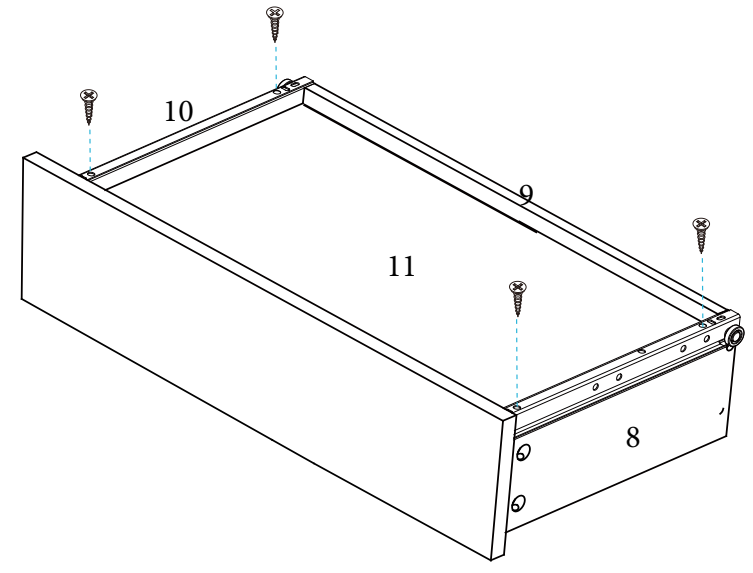
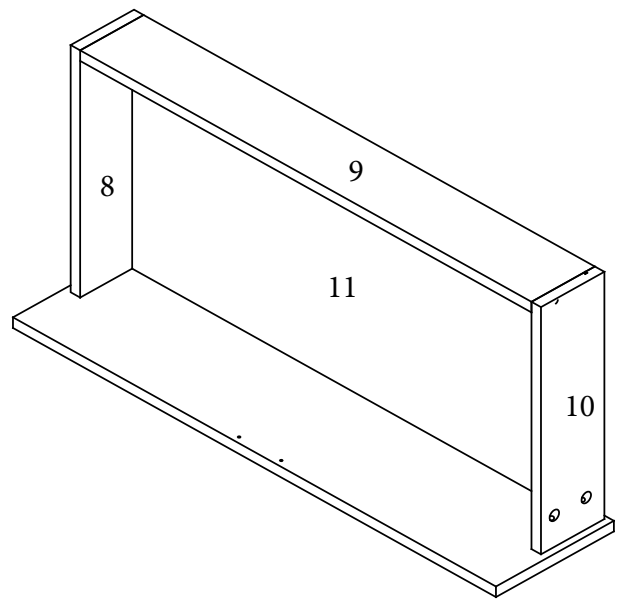
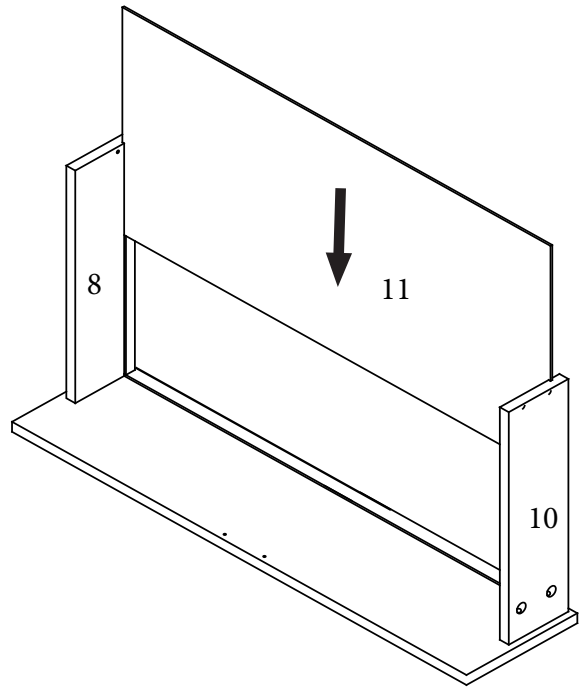
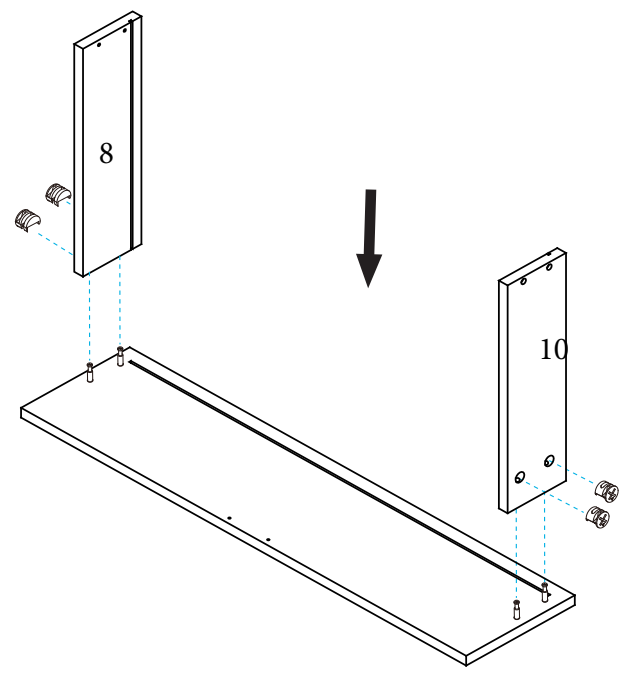


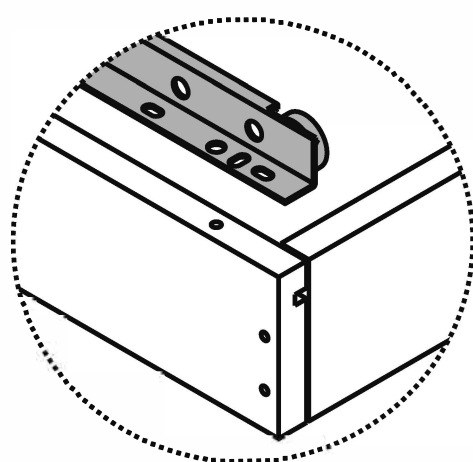
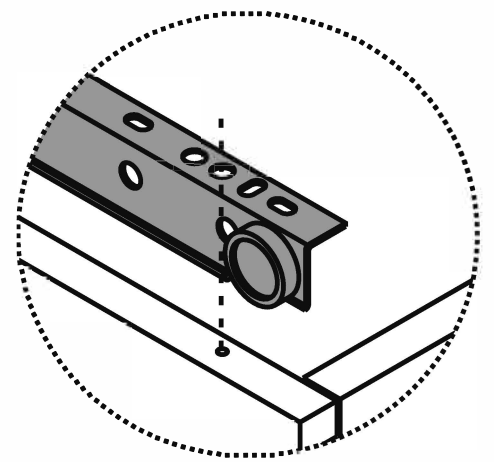
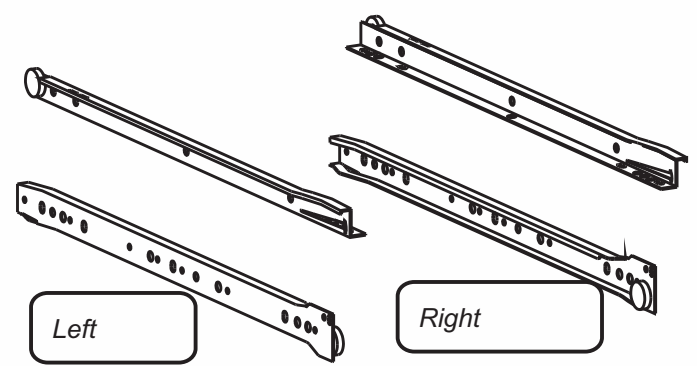
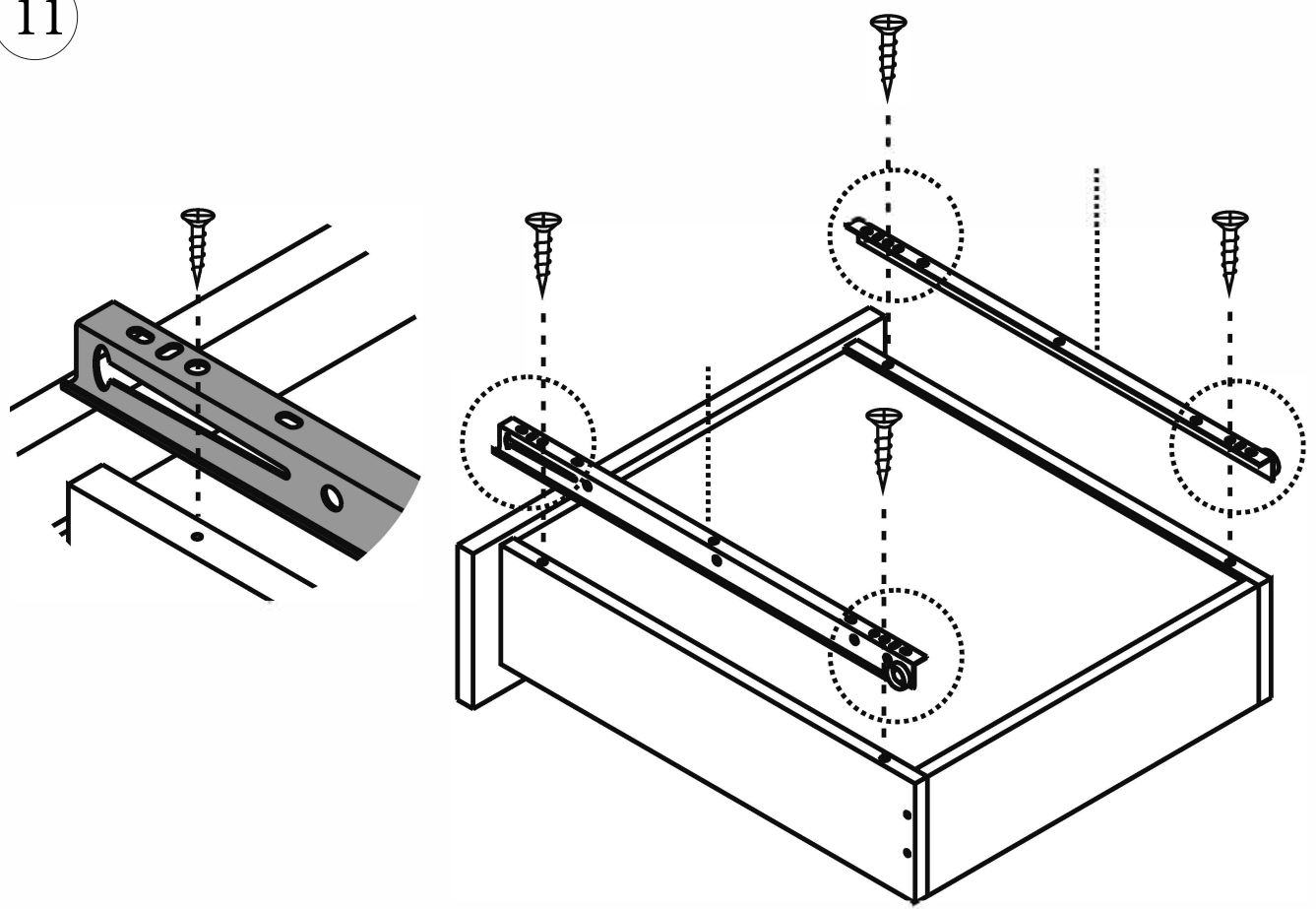
8



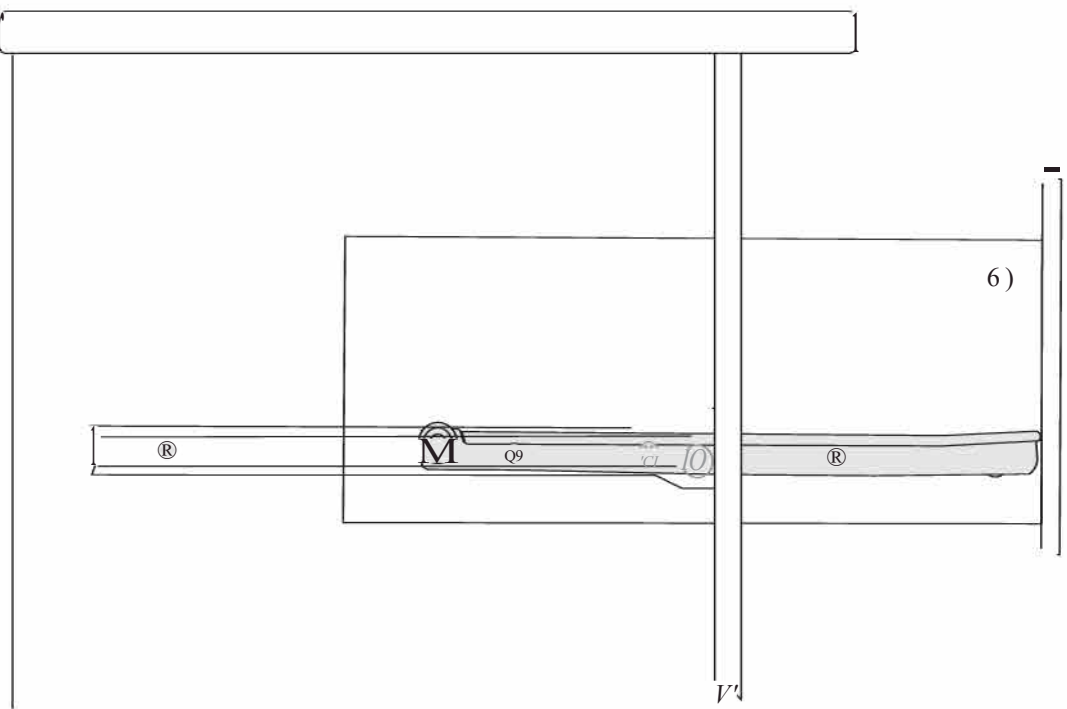
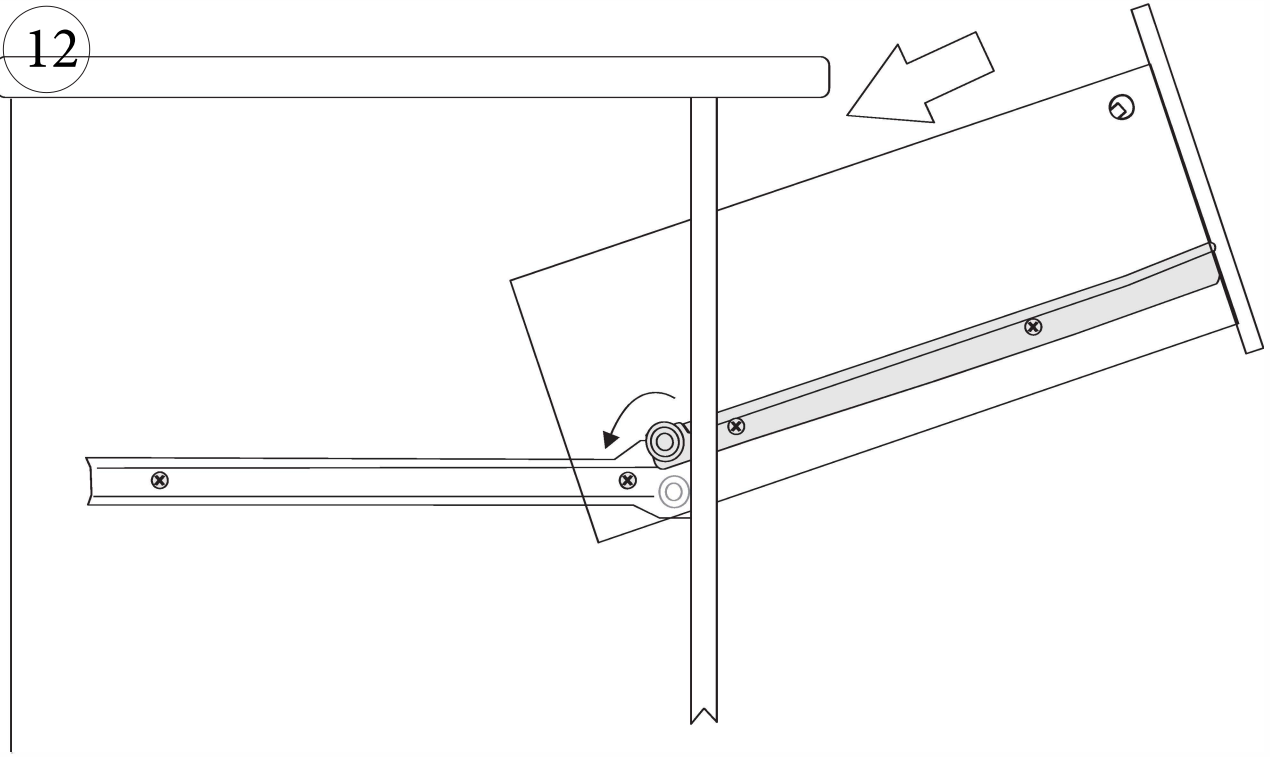
9



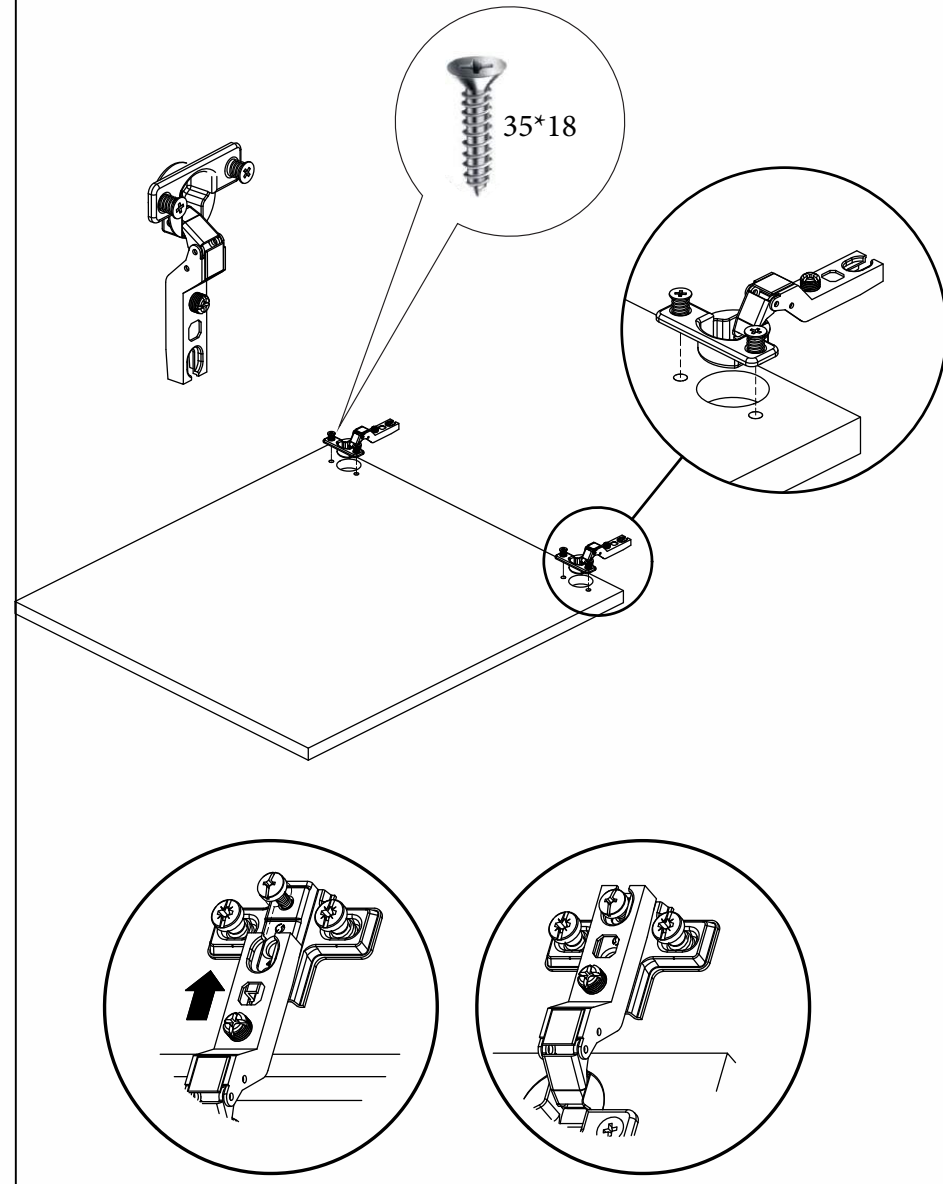




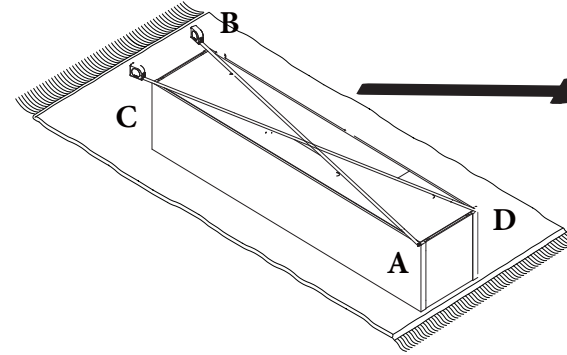
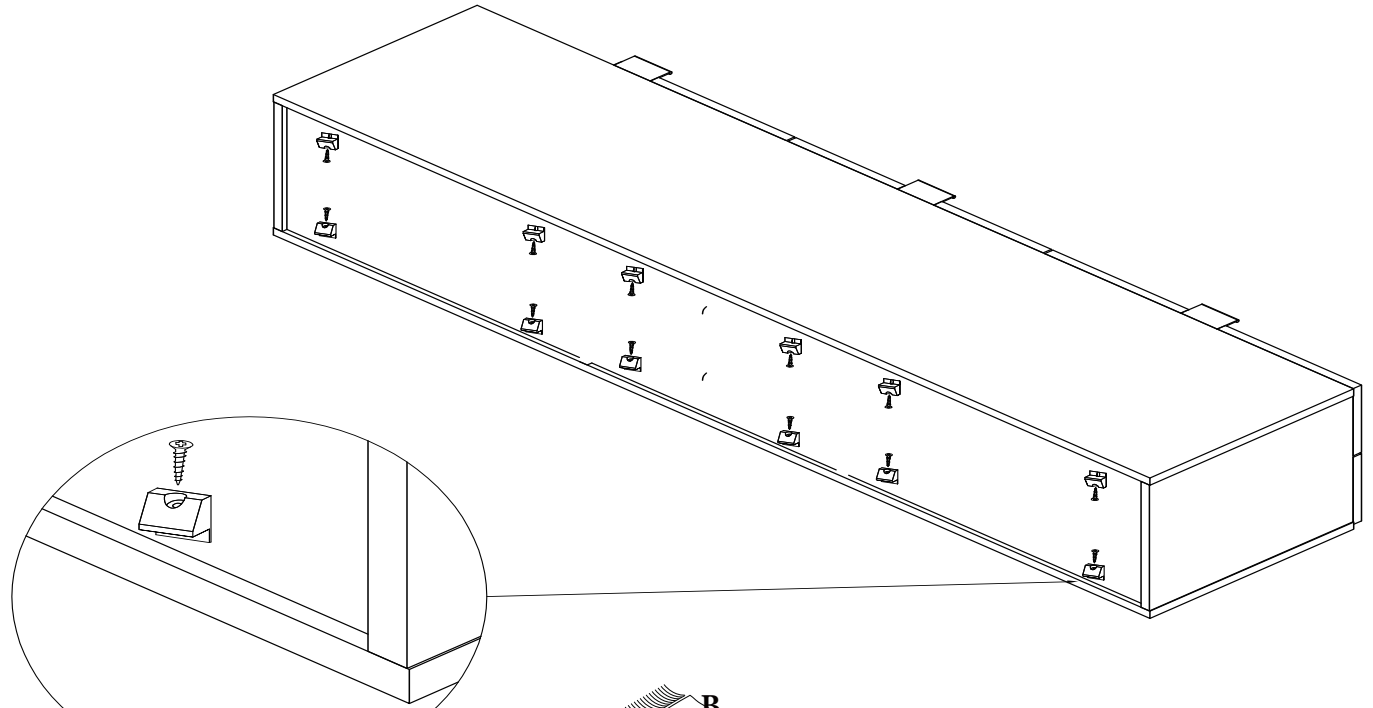
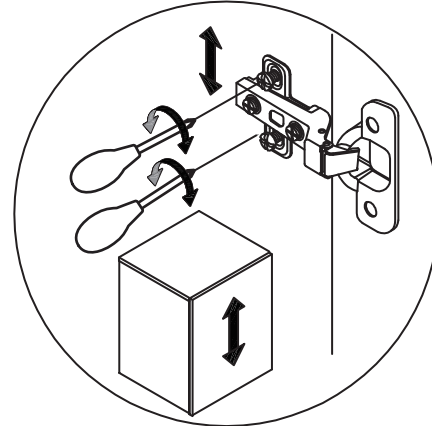
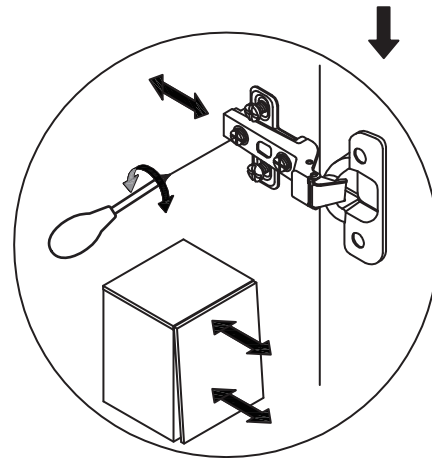
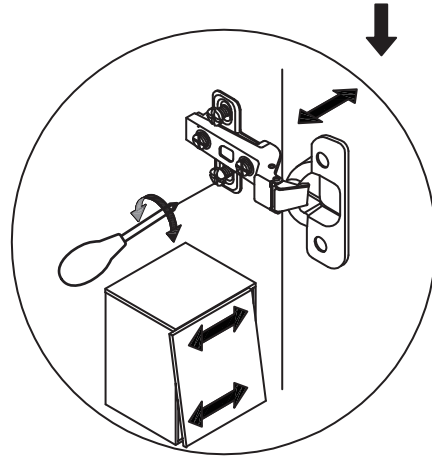
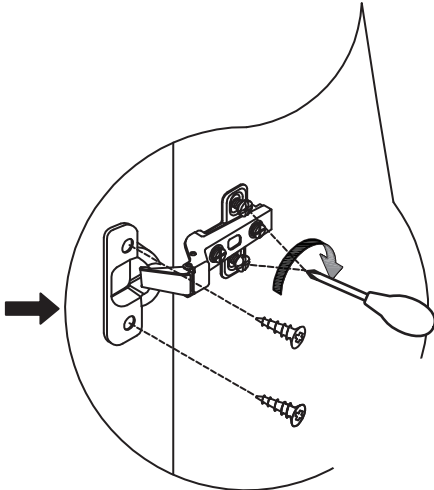
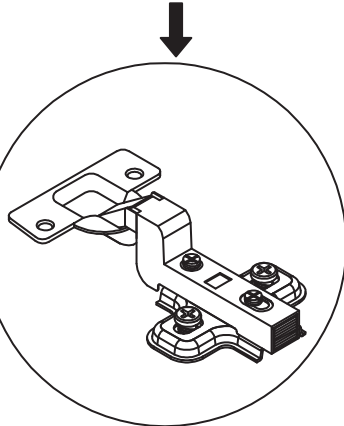
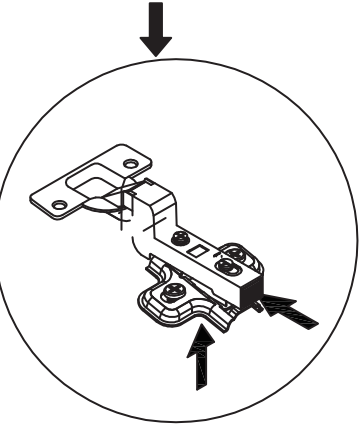
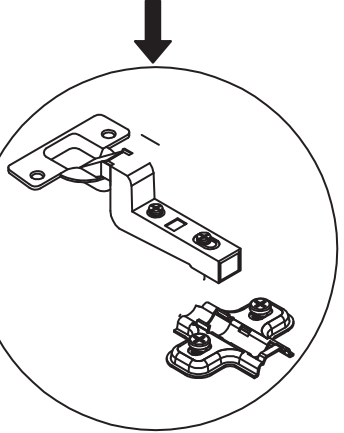
12



Let's mount our hinges to the points shown on our cover with the help of 35*18 screws.



MENTEŞE MONTAJ
SIRALAMASI



A-B ÖLÇÜSÜ= C-D ÖLÇÜSÜ
AYNI OLMALIDIR.